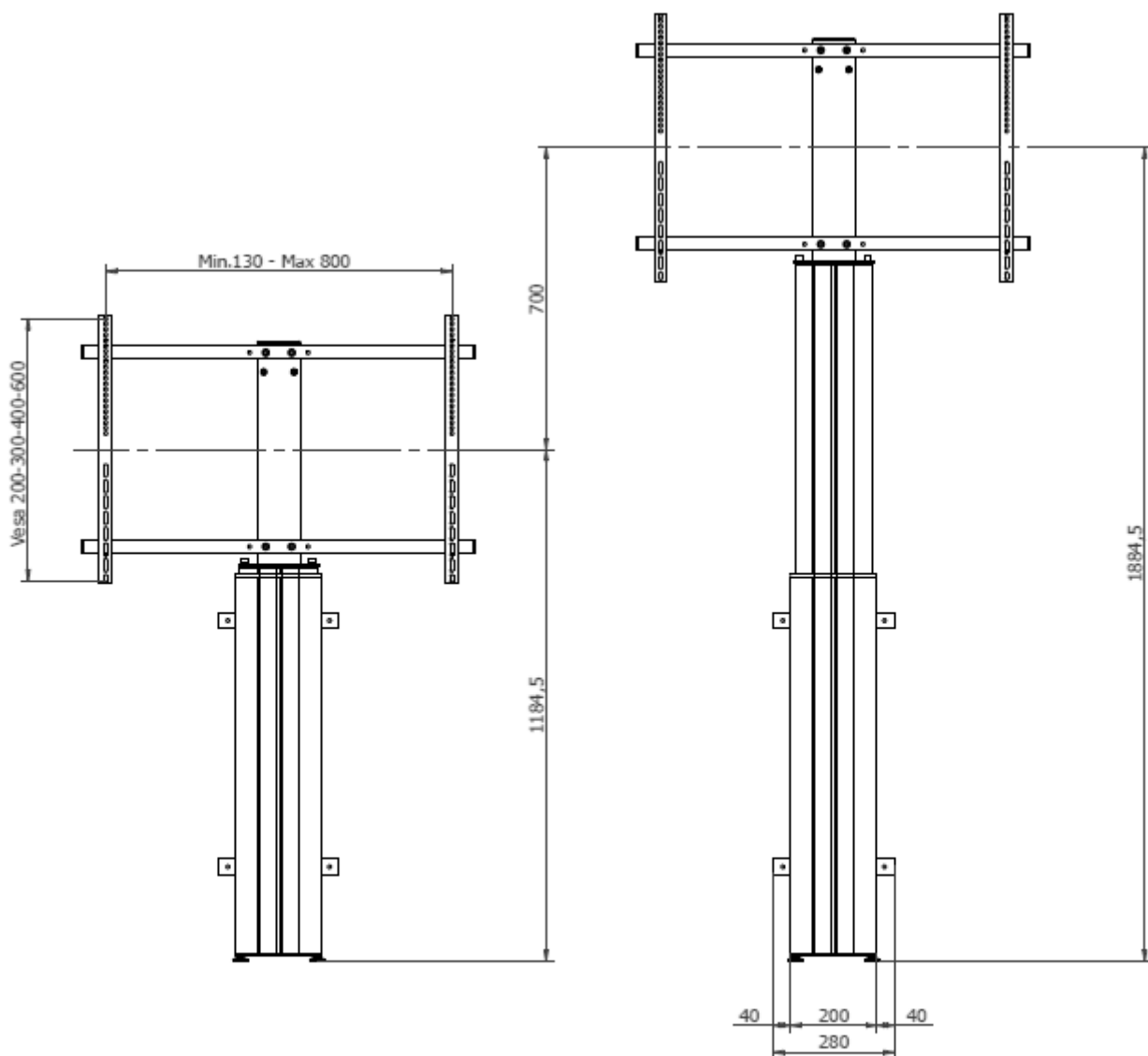


# INSTALLATION INSTRUCTIONS

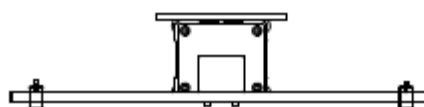
## COLUMN E700 EVOLUTION



### CAPACITY

Max Screen Size: up to 100" (254 cm)  
Max weight capacity: 150 Kg (lbs 330)

Min VESA: 200x200  
Max VESA: 800x600



REL 2026 - document code 05098

# SAFETY INSTRUCTION

## INTENDED USE

This liftable motorized wall column is intended for support of digital signage screens and interactive display weighing not more than 150 kg. For size limits please refer to below Machine Data

## MACHINE DATA

Weight:	435	N
Max applicable load	1471	N
Voltage:	110-240	V
Grid frequency:	50-60	Hz
Max applicable screen:	100"	
Product dimension:	see front page	

## DO NOT:

- Do not apply any type of equipment not authorized by the manufacturer.
- Do not use weight loads superior to those recommended by the manufacturer.
- Do not use the product on sloping planes.
- Do not install the product in an off-balanced way.
- Do not use in a potentially explosive or corrosive environments.
- Do not expose to the weather.

The instalment of equipment other than that specified by the manufacturer could damage the product and endanger the operator and/or the persons near the product, and is to be considered as improper and incorrect.

## IMPORTANT SAFETY INSTRUCTIONS

Before using the COLUMN E700 EVOLUTION, please read the following information regarding safety so as to safeguard the integrity of the product and avoid accidents.

## DANGERS OF UNSTABLENESS

Use the product only on flat stable surfaces.

## MECHANICAL DANGERS

Before activating the product, make sure that there are no obstacles or persons within a 25 cm range so as to avoid points of compression or entrapment. In case of accidents release the remote-control button in order to instantly stop the movement.

Do not overload the product. Only install the equipment specified (tv screen, board, interactive board, interactive screen). Do not exceed the maximum weight limit. Serious risk of injury in case of tipping over or incorrect use of the product.

## ELECTRICAL DANGERS

Do not open the product – risk of electrocution.

Only connect to a 100-240V- 50-60 Hz grid with regular grounding system.

Only use in dry places and do not expose to rain or other liquids.

Clean only with a dry cloth.

In case of malfunction, pull the plug out of the socket before intervening.

Do not pull the electrical wire or damage it. In case of damage substitute it immediately with a new one of the same type.

## INSTALLATION WARNING

The incorrect assembly and installation may create hazards for the users.

The installation must be performed by competent persons.

## MINIMUM SPACES FOR USE

Do not use the product in a space smaller than mm 2400x1600x2200h.

# SAFETY INSTRUCTION

## IDENTIFICATION DATA AND EQUIPMENT'S PLATE

Every single trolley is marked with a EC plate on the main upright with all the necessary data relevant to the product. The data on the plate is indelible and must be quoted every time it is necessary to communicate with the manufacturer or the customer service center.

## EC DECLARATION OF CONFORMITY

MANUFACTURER: O.M.B. s.r.l. - via Risorgimento, 25 - 38070 Stenico (TN)  
MODEL: MORTORIZED WALL COLUMN – COLUMN E700 EVOLUTION  
DESCRIPTION: Motorized adjustable wall column for digital signages screens and interactive display

We, the signatories hereby, declare under our sole responsibility that the equipment described herein is designed, built and placed on the market in compliance with the essential health and safety requirements of the following European directives/regulations.

Machinery	2006/42/EC
Electromagnetic compatibility (EMC):	2014/30/UE
Low voltage (LVD):	2014/35/UE
Restriction of hazardous substances (RoHS)	2011/65/UE

complying with the following European technical standards:

EN 12100:2010  
EN 14434:2010  
EN 60335-1:2012+A1+A2+A11+A13+A14  
EN 62233:2008  
EN 61000-3-2:2019  
EN 61000-3-3:2013+A1  
EN 55014-1:2017+A11  
EN 55014-2:2015  
EN 62321:2008

Legal person in charge for the preparation of the technical file:

O.M.B. s.r.l. - via Risorgimento, 25 - 38070 Stenico (TN)

DECLARATION SIGNED BY: Carlo Bailo  
POSITION: Legal representative

DATE and SIGNATURE: 19/02/2023 *Carlo Bailo*

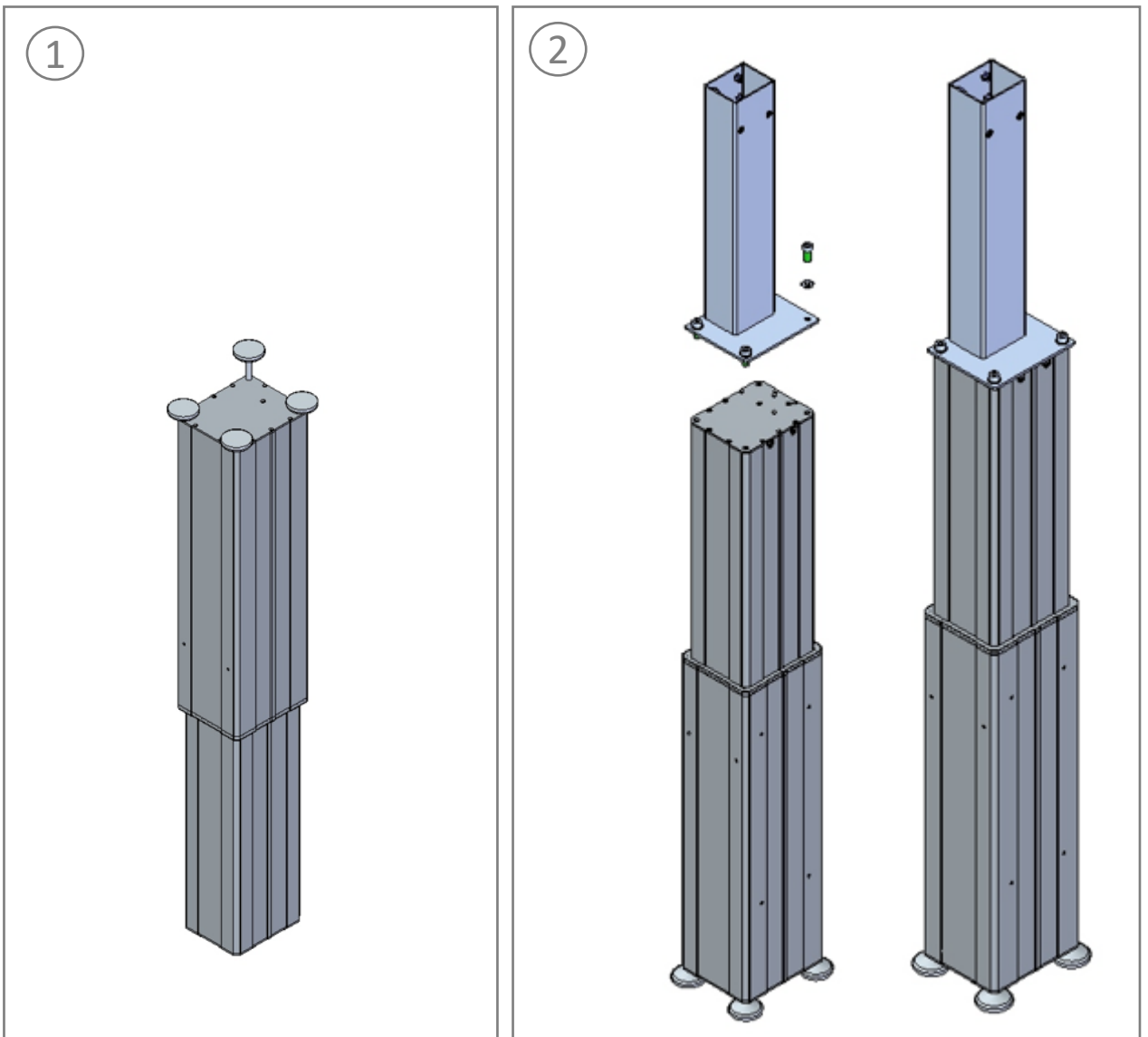
## TRANSPORT AND ASSEMBLY OF THE WALL COLUMN

This motorized adjustable wall column is supplied unassembled. Two people are required for assembly. The correct final installation is illustrated here below. Since the weight of the packed column is about 34 kg, the lifting and the transport should be done with a forklift or similar equipment, or carried by two people simultaneously.

# ASSEMBLY PROCESS

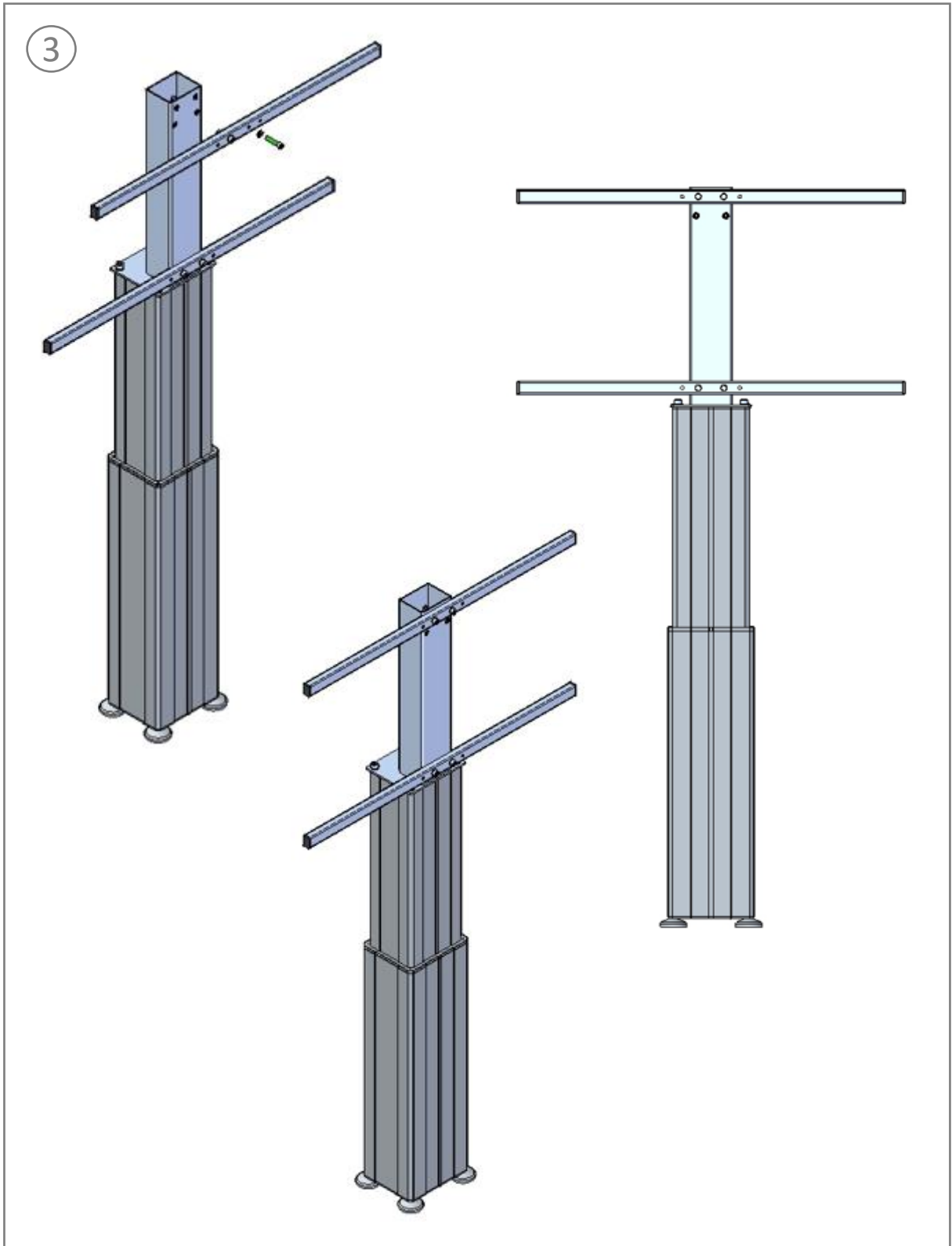
**STEP 1:** Screw the 4 feet onto the base of the electric column.

**STEP 2:** Fix the upright support onto the electric column using the 4 screws and corresponding washers.



# ASSEMBLY PROCESS

**STEP 3:** Fix the two horizontal tubes to the upright support using the 4 screws and corresponding washers.

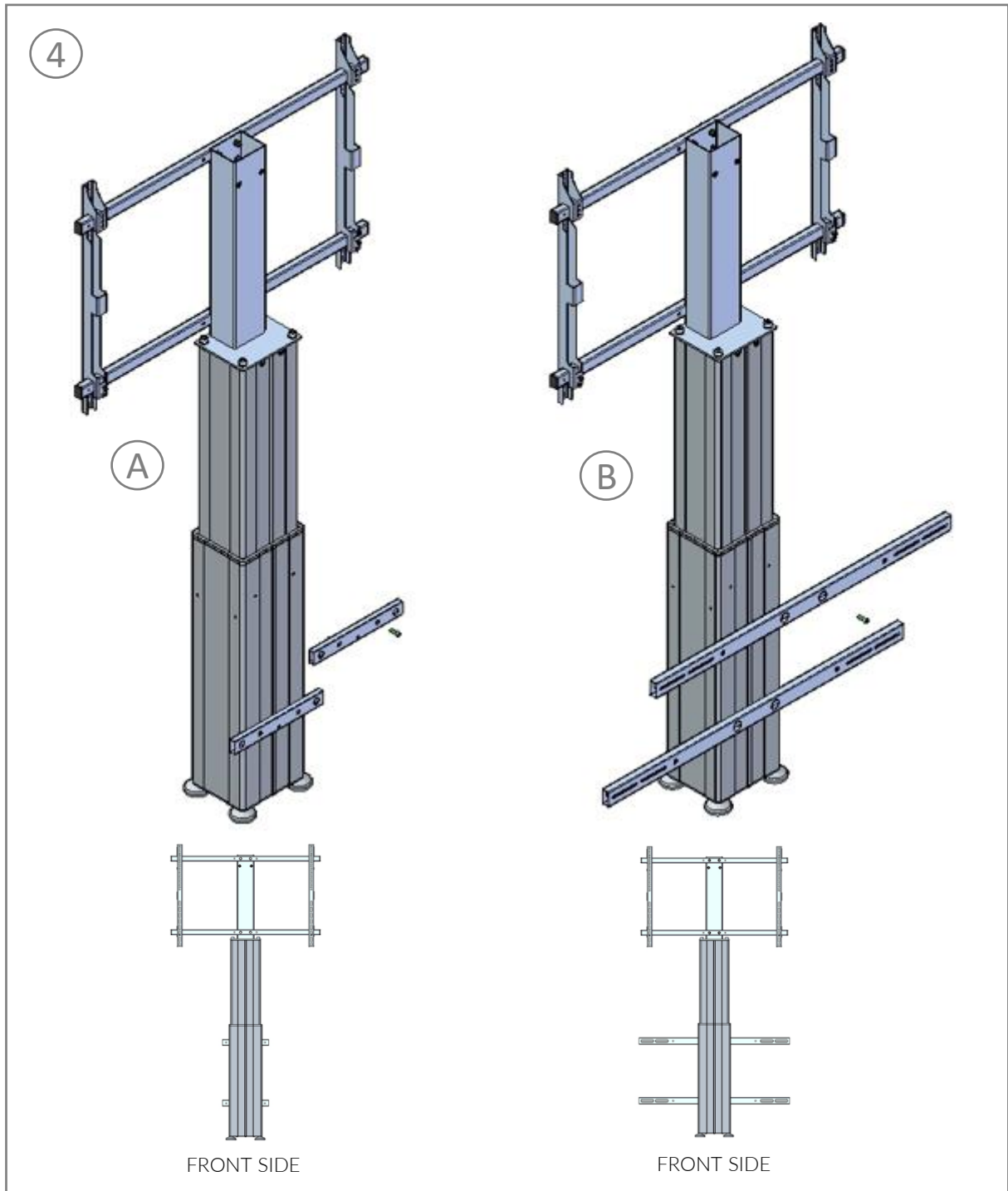


# ASSEMBLY PROCESS

**STEP 4:** Fix the wall brackets to the column using the 4 supplied screws. Attention: the wall brackets are optional and must be purchased according to the wall type.

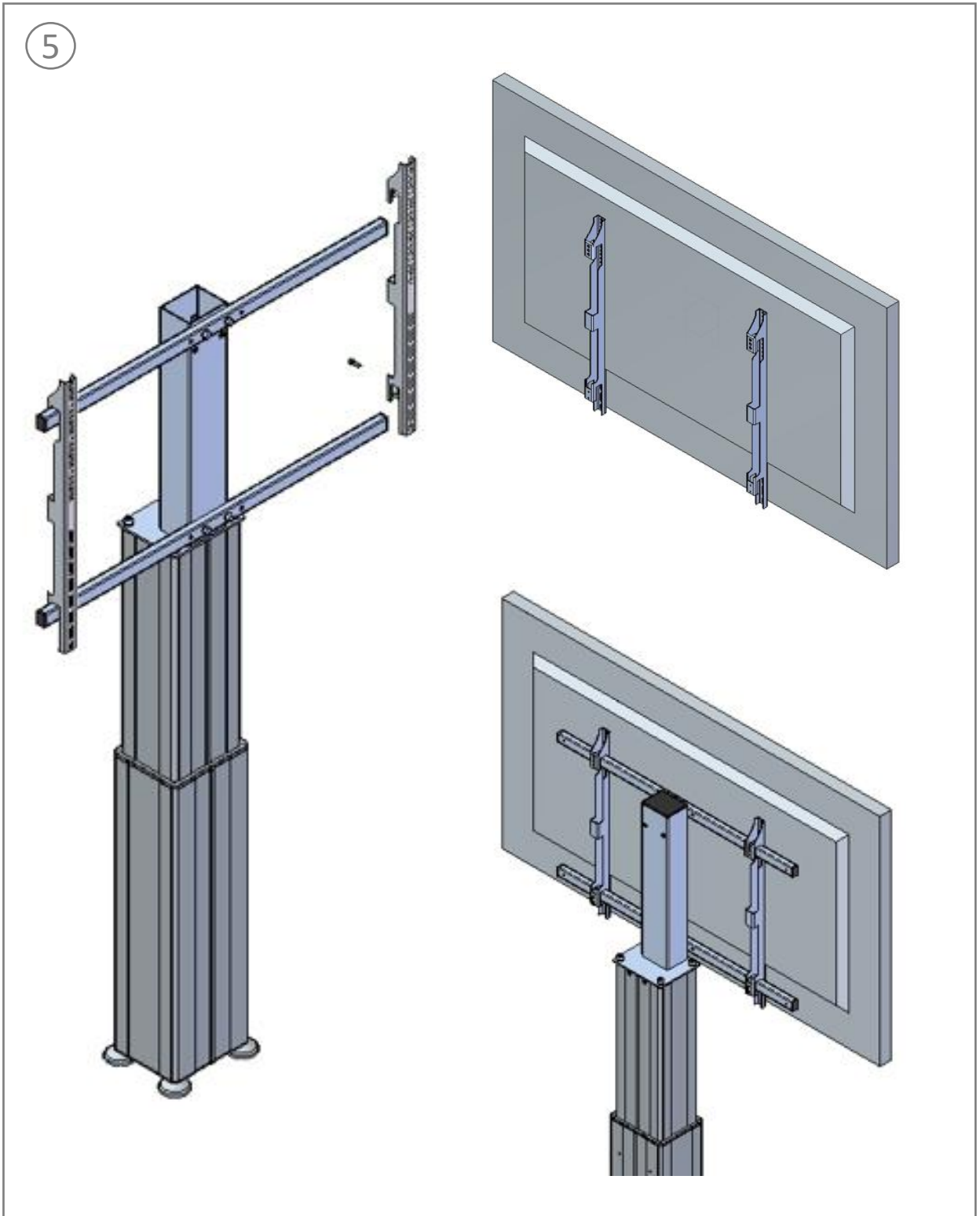
- A. Use the shorter brackets for concrete walls (purchase code: 07180).
- B. Use the longer brackets for plasterboard/drywall walls (purchase code: 07181).

Secure the column to the wall using anchors suitable for the specific wall type.



# ASSEMBLY PROCESS

**STEP 5:** Place the monitor onto the two horizontal VESA crossbars and tighten the safety screw located on the back of one of the VESA bars

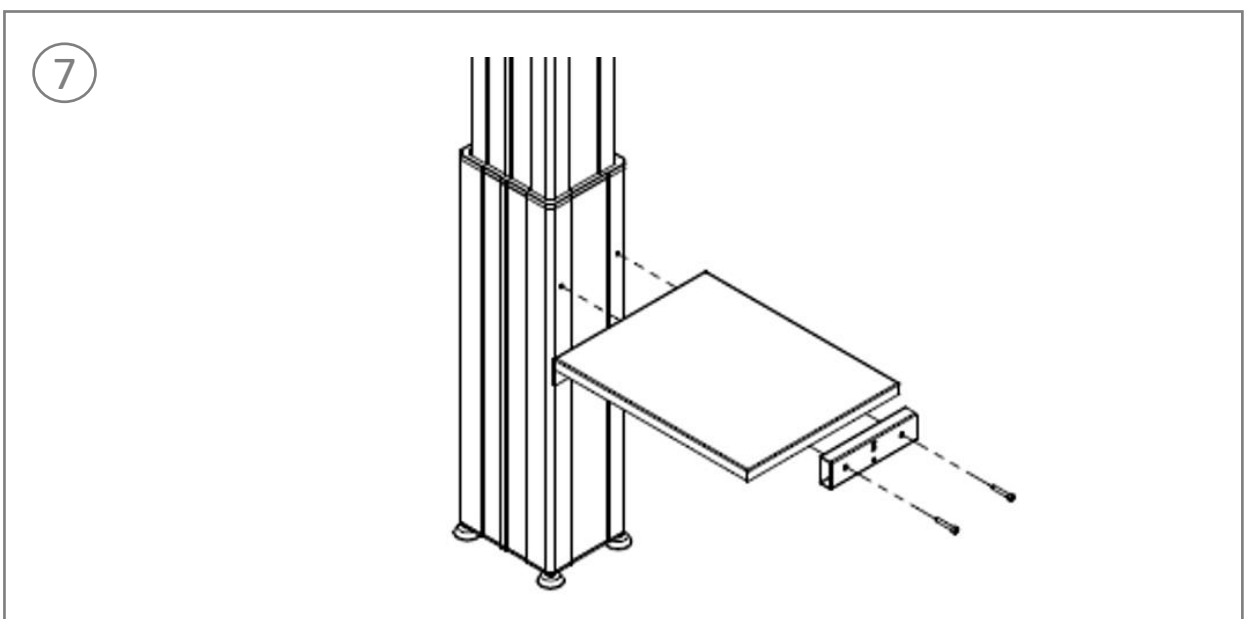
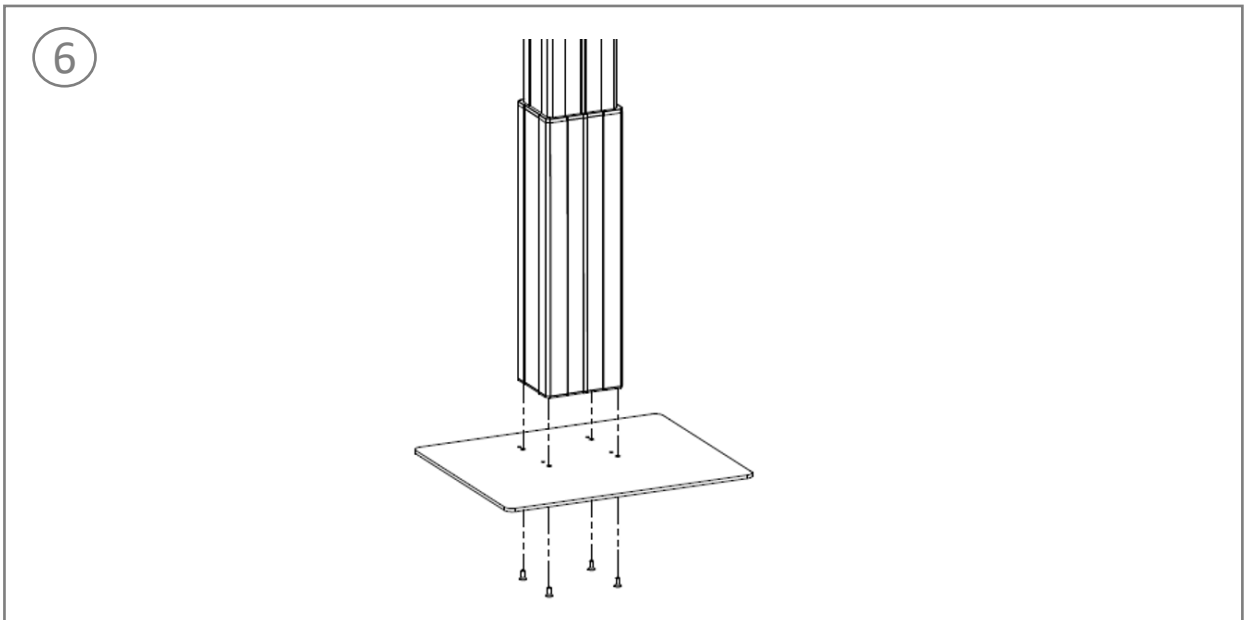


# ASSEMBLY PROCESS

## OPTIONALS ACCESSORIES

**STEP 6:** To make the column freestanding (therefore not fixed to the wall), it is necessary to purchase the optional base (purchase code: 07182) and fix it to the bottom of the column instead of the adjustable feet.

**STEP 7:** If a metal support shelf is required, it must be purchased separately as an optional accessory (purchase code: 07064) and fixed to one side of the column.



# ASSEMBLY PROCESS

## ELECTRICAL CONNECTIONS

Connect according to the system diagram and then power on (input AC is 110-220VAC). Up button: Press and hold the key to lift the column. Let go and stop. Down button: Press and hold the key to lower the column. Let go and stop.

### Attention :

1. Anti-collision sensor needs to be fixed to the moving platform or equipment and follow the column up and down in order to perform the Anti-collision function.
2. Anti-collision function: when running in non-reset state, the system will stop and back 5-10mm when the lifting platform suddenly vibrates or the load suddenly becomes larger

### Matters needing attention

1. The system is energized, do not allow to open the controller, touch any live components, to prevent electric shock;
2. For products with protection grade below IPX6, water washing is not allowed to prevent the products from entering water and affecting the use. Only simple surface wiping can be carried out;
3. Without the guidance of professional personnel, it is not allowed to reform the product to prevent system abnormalities;
4. If the use of lead-acid battery or lithium battery products, lead-acid battery in the warehouse for 3 months without use, you need to carry out charge and discharge maintenance, lithium battery for 6 months without use, you need to charge and discharge maintenance, to prevent battery damage or shorten life;
5. With lead-acid battery or lithium battery system, if the old system, there is unplug AC, do not operate the system battery will also consume power, must be according to the instructions, before delivery, turn off the battery function, to prevent excessive power consumption, affect battery life;
6. The system operation work system, refer to the above remarks, if there is no special instructions, generally is 2 minutes of work, rest 18 minutes of short work system, do not exceed the specified use, to prevent product damage or shortening of life;
7. The push rod has rated load, do not exceed the load, to prevent damage or shorten the life of the push rod, resulting in loss;
8. The system connection shall be connected in strict accordance with the system diagram. In general, the wrong connection will not cause product damage.
9. If the customer customized circuit board, their own assembly, need to refer to our "circuit board assembly process precautions", to prevent the assembly process, improper operation, resulting in circuit board damage; Especially the connector part, for the sake of insurance, must be fixed with glue.

