







EDUCATION MARKET

PRODUCTS SELECTION 2024



# EDU motorized solutions

					<p>Solutions provided with ANTICOLLISION SENSOR</p> 		<p>DOUBLE WALL COLUMN</p> <p>Optional ANTICOLLISION SENSOR</p> 	<p>TILT FUNCTION</p> <p>Optional ANTICOLLISION SENSOR</p> 
<p><b>TROLLEY M500</b></p> <p>Max 75" Max 100Kg</p> <p>Stroke 500mm</p> <p>Distance from floor to center screen: Min 1054 mm Max 1554 mm</p> <p>Max VESA: 600x400</p>	<p><b>TROLLEY E500</b></p> <p>Max 100" Max 150Kg</p> <p>Stroke 500mm</p> <p>Distance from floor to center screen: Min 1070 mm Max 1570 mm</p> <p>Max VESA: 800x600</p>	<p><b>TROLLEY E500 MAXI</b></p> <p>Max 100" Max 150Kg</p> <p>Stroke 500mm</p> <p>Distance from floor to center screen: Min 1081 mm Max 1821 mm</p> <p>Max VESA: 800x600</p>	<p><b>COLUMN E500</b></p> <p>Max 100" Max 150Kg</p> <p>Stroke 500mm</p> <p>Distance from floor to center screen: Min 959 mm Max 1459 mm</p> <p>Max VESA: 800x600</p>	<p><b>COLUMN E500 MAXI</b></p> <p>Max 100" Max 150Kg</p> <p>Stroke 500mm</p> <p>Distance from floor to center screen: Min 968 mm Max 1708 mm</p> <p>Max VESA: 800x600</p>	<p><b>TROLLEY E700</b></p> <p>Max 100" Max 150Kg</p> <p>Stroke 700mm</p> <p>Distance from floor to center screen: Min 1271 mm Max 1972 mm</p> <p>Max VESA: 800x600</p>	<p><b>COLUMN E700</b></p> <p>Max 100" Max 150Kg</p> <p>Stroke 700mm</p> <p>Distance from floor to center screen: Min 1159 mm Max 1859 mm</p> <p>Max VESA: 800x600</p>	<p><b>DOUBLE WALL COLUMN</b></p> <p>Max 90" Max 120Kg</p> <p>Stroke 660mm</p> <p>Distance from floor to center screen: Min 1117 mm Max 1777 mm</p> <p>Max VESA: 800x600</p>	<p><b>ELECTRIC TROLLEY</b></p> <p>Max 90" Max 150Kg</p> <p>Stroke 500mm</p> <p>Distance from floor to center screen: Min 658 mm Max 1158 mm</p> <p>Max VESA: 800x600</p>

# Electric Trolley 500mm stroke



ELECTRIC TROLLEY with TILT function  
(cod 06184)

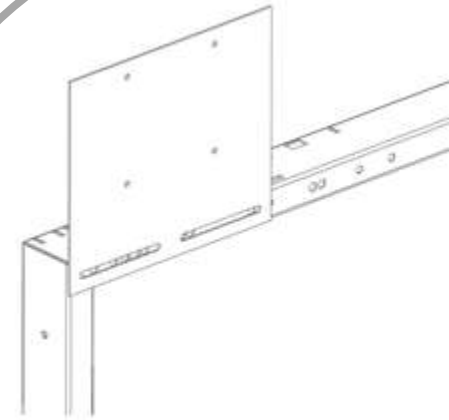
Up to 90" – 150 Kg

TILT function

OPTIONAL: SHELF – ANTICOLLISION SYSTEM

# Accessories ELECTRIC TROLLEY

ANTICOLLISION SYSTEM  
cod: 04350 + 04351 + 04352

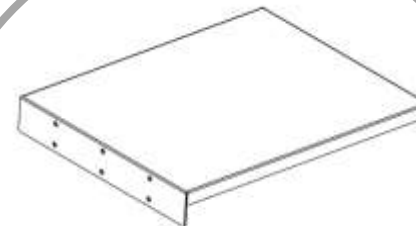


Cod: 04483  
EXTRA VESA PLATE 100X100  
(example for NUC)

**TENTE**



CASTOR100  
Kit 4 wheels  
cod: 04488



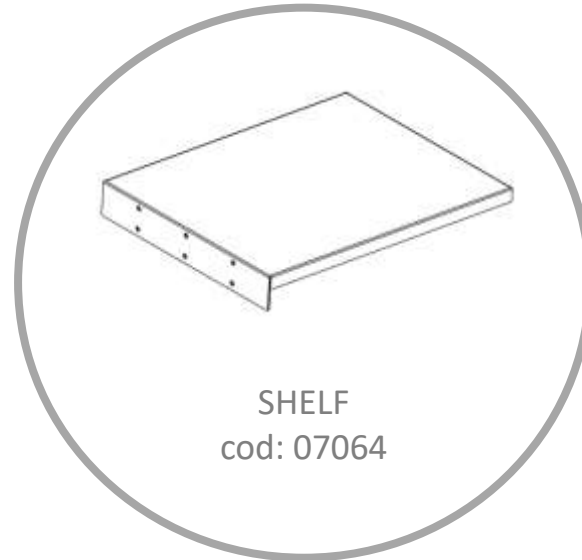
SHELF  
cod: 07064

# TROLLEY E500 & E500 MAXI 500 mm stroke

## ACCESSORIES TROLLEY E500 & E500 MAXI



TROLLEY E500 (cod 07174)  
TROLLEY E500 MAXI (cod 07175)



SHELF  
cod: 07064



CASTOR100  
Kit 4 wheels  
cod: 04488

Up to 100" – 150 Kg

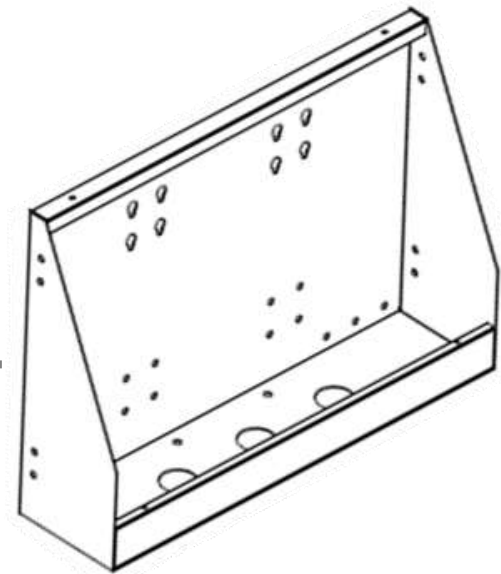
# TROLLEY M500 500 mm stroke

## ACCESSORIES TROLLEY M500



TROLLEY M500 (cod 07174)

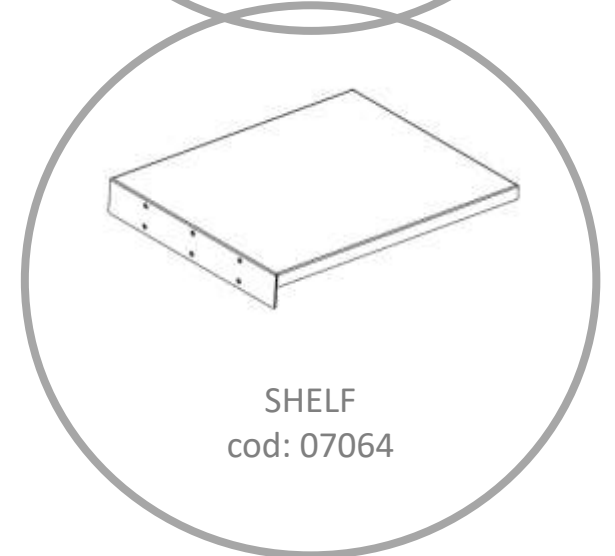
Up to 75" – 100 Kg



VESA BOX  
Can be closed with CLOSING PLATE

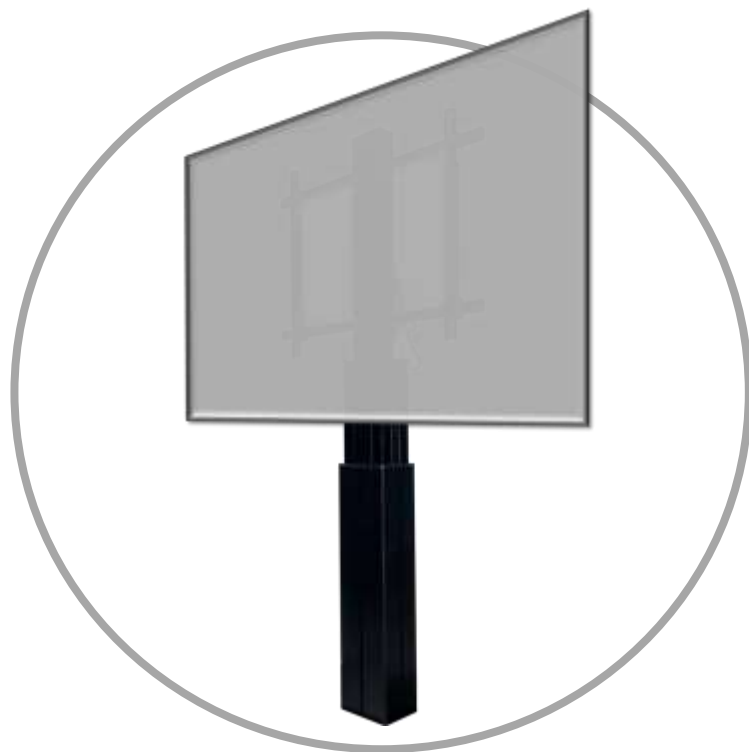


CLOSING PLATE  
cod: 04656



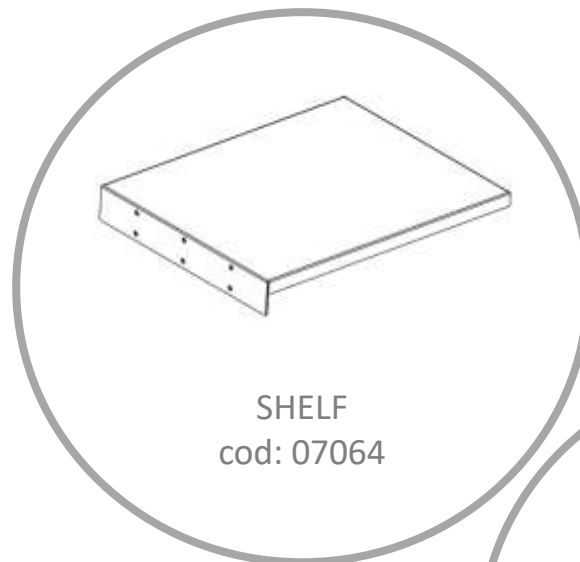
SHELF  
cod: 07064

# COLUMN E500 & E500 MAXI 500 mm stroke

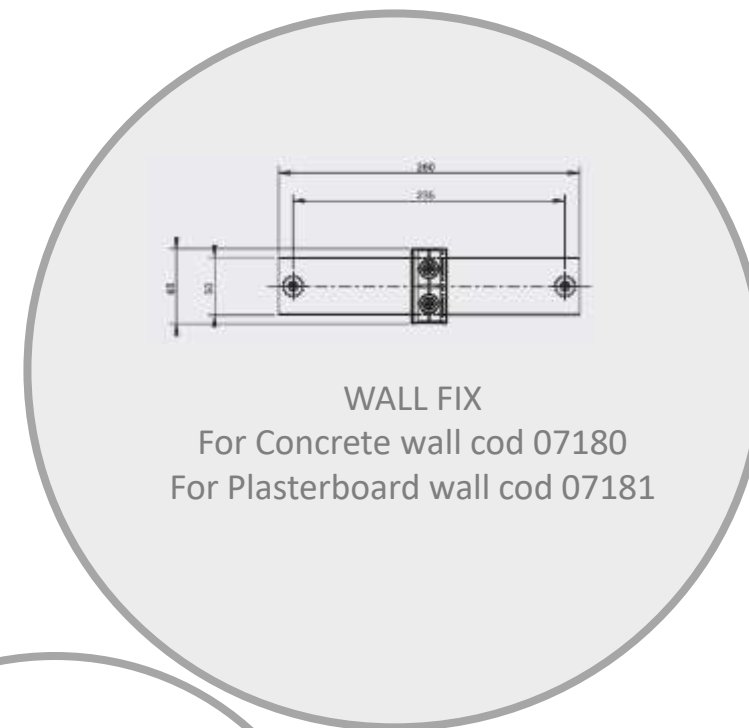


COLUMN E500 (cod 07177)  
COLUMN E500 MAXI (cod 07178)

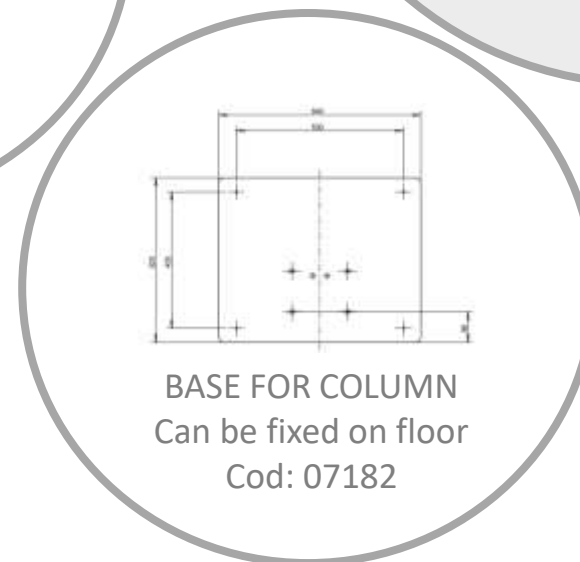
## ACCESSORIES COLUMN E500 & E500 MAXI



SHELF  
cod: 07064



WALL FIX  
For Concrete wall cod 07180  
For Plasterboard wall cod 07181

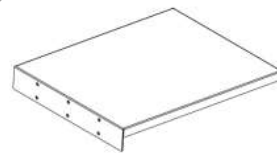


BASE FOR COLUMN  
Can be fixed on floor  
Cod: 07182

Up to 100" – 150 Kg

# TROLLEY E700 & COLUMN E700 700 mm stroke

## ACCESSORIES TROLLEY E700



SHELF  
cod: 07064

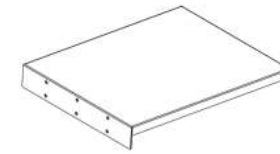


CASTOR100  
Kit 4 wheels  
cod: 04488

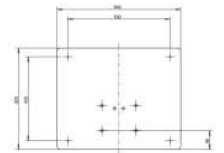
TROLLEY E700 (cod 07176) stroke 700 and ANTICOLLISION SYSTEM

Up to 100" – 150 Kg

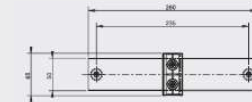
## ACCESSORIES COLUMN E700



SHELF  
cod: 07064



BASE FOR COLUMN  
Can be fixed on floor  
Cod: 07182



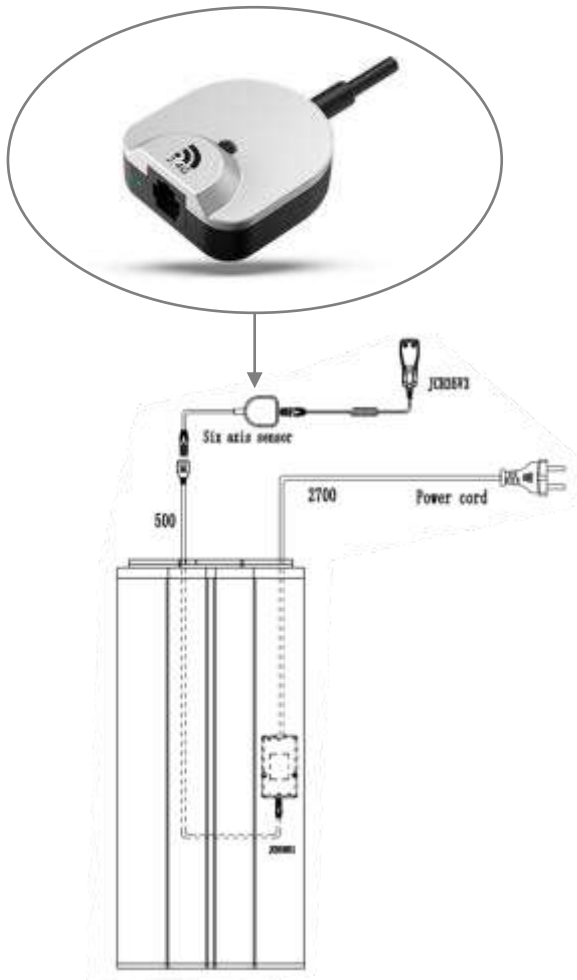
WALL FIX  
For Concrete wall cod 07180  
For Plasterboard wall cod 07181

COLUMN E700 (cod 07179) stroke 700 and ANTICOLLISION SYSTEM

Up to 100" – 150 Kg



# TROLLEY E700 & COLUMN E700 700 mm stroke

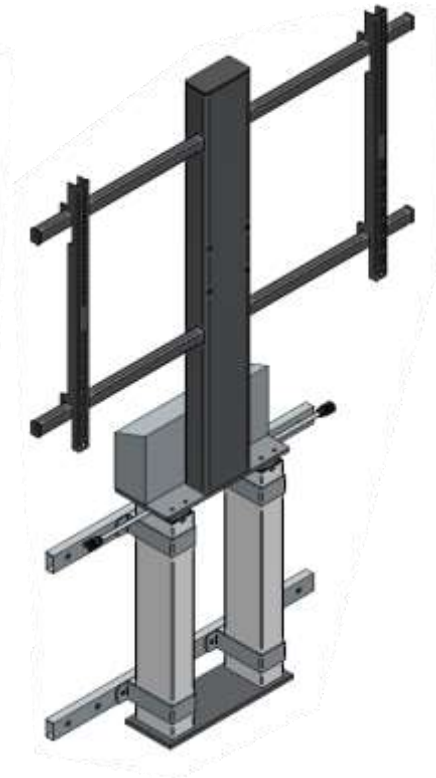
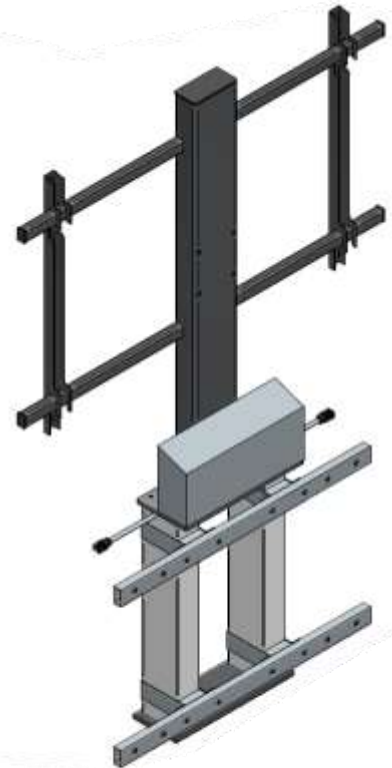
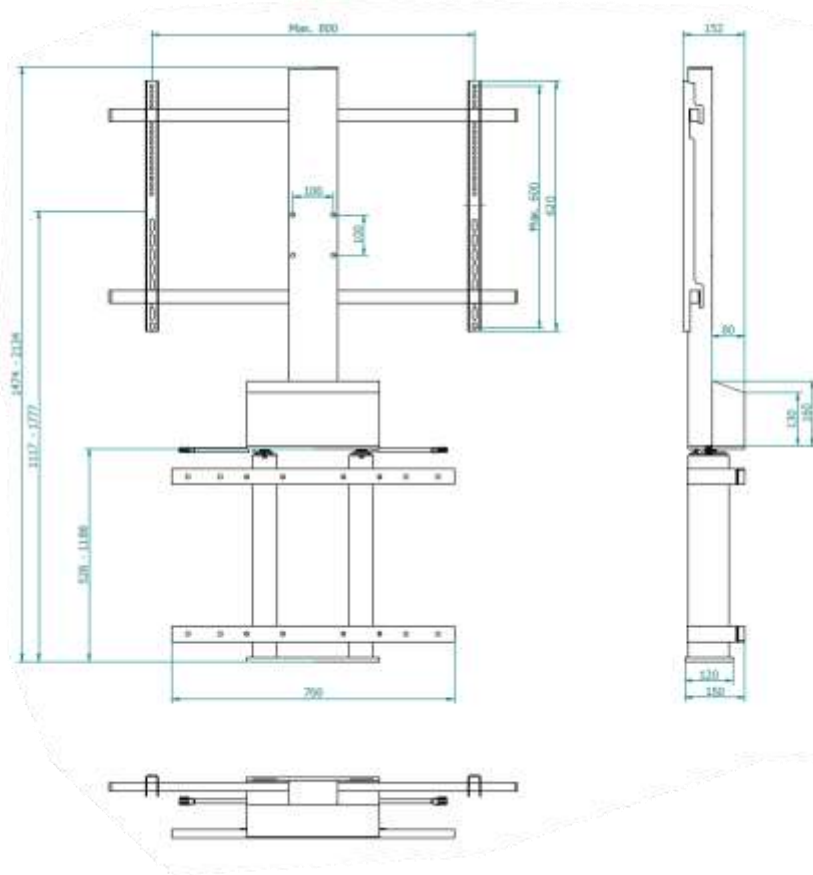


Six axis ANTI-COLLISION SENSOR

# MOTORIZED DOUBLE WALL COLUMN

BACK VIEW

FRONT VIEW



Up to 100" – 150 Kg

# Solutions for PRICE SENSITIVE customers

Perfect when wall is in plasterboard



WALL FLOOR SUPPORT (cod 07125)

Very stable trolley for very large screen



VIDEO TROLLEY (cod 05008)

Best seller for EDUCATION sector



FIX TROLLEY (cod 07147)



  
TARGETED TO PROFESSIONALS

[www.ombitaly.it](http://www.ombitaly.it)