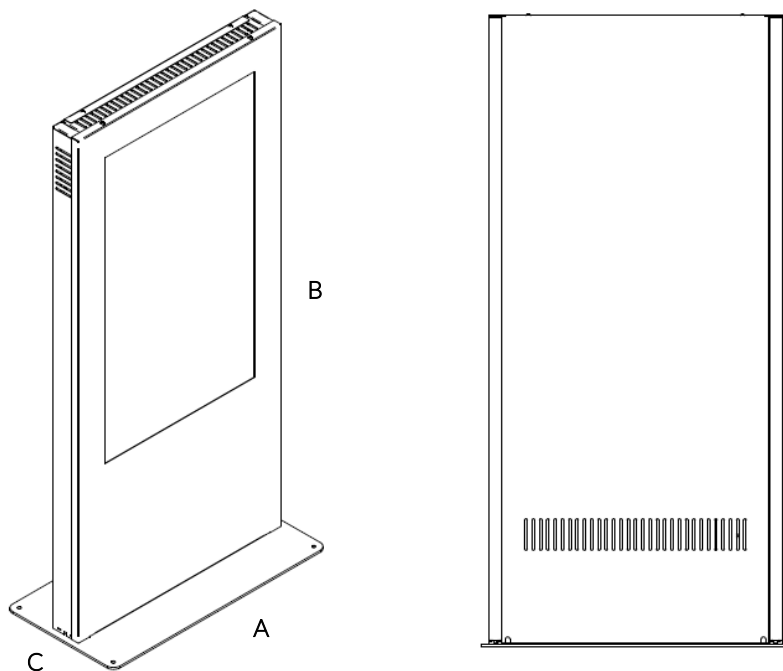


# INSTALLATION INSTRUCTIONS

## TOTEM DRAGONFLY



MODEL NAME	Totem external dimension (mm)			Freestanding base dimension (mm)	Weight
	Width (A)	Height (B)	Depth (C)	Width x Depth	Product Weight
DRAGONFLY 43	779	1850	121,5	826 x 490	80 Kg
DRAGONFLY 49	900	1993	121,5	900 x 490	100 Kg
DRAGONFLY 55	975	1993	121,5	975 x 490	105 Kg
DRAGONFLY 65	1100	1993	121,5	1100 x 490	120 Kg
DRAGONFLY 75	1100	2100	121,5	1100 x 490	120 Kg

MODEL NAME	Screen size	Screen position	Min VESA	Max VESA	Max screen weight capacity	Min/Max Display Depth if front glass is mounted (or without Glass)
------------	-------------	-----------------	----------	----------	----------------------------	--

DRAGONFLY 43	43"	Portrait	200x200	400x600	50 Kg	min 50,8 (55,8)   max 74,8 (79,8)
DRAGONFLY 49	49"	Portrait	200x200	400x600	50 Kg	min 50,8 (55,8)   max 74,8 (79,8)
DRAGONFLY 55	55"	Portrait	200x200	400x600	50 Kg	min 50,8 (55,8)   max 74,8 (79,8)
DRAGONFLY 65	65"	Portrait	200x200	400x600	50 Kg	min 56 (61)   max 71 (76)
DRAGONFLY 75	75"	Portrait	200x200	400x600	50 Kg	min 56 (61)   max 71 (76)

REL 2026 - document code IST09266

# SAFETY INSTRUCTION

## WARNING

A correct mounting is extremely important and this is not the responsibility of OMB srl. Faulty mounting may result in injury to persons or damage to equipment. OMB will not be responsible in any way if the product has been mounted incorrectly. Mounting fittings are not included with the product for reasons of safety, since the properties and bearing strength of floor are specific for each case. Suitable mounting fittings must be selected based on the material of the floor. Obtain advice from a specialist in the field or from a specialist shop concerning the choice of mounting fittings. It is the responsibility of the installer to ensure that the floor can support at least four times the combined weight of the screen and totem. The maximum load for this product is given in the table in these installation instructions. The instructions for installation and use of the screen must also be followed with respect to the location and attachment of the screen.

## WARRANTY TERMS AND CONDITIONS

OMB guarantees that a product that OMB has determined to be defective as a result of deficient manufacture or material will be repaired or – if necessary – replaced, without cost, on condition that a claim is made within the period of warranty, which is 3 years. The guarantee does not apply for normal wear and tear.

In the event of a claim being made under the terms of the warranty, the product and the original purchase receipt are to be returned to OMB. The name of the supplier and the date of purchase must be clearly legible on the receipt. The owner is to pay the cost of returning the product to OMB, while OMB is to pay the cost of returning the product subsequently to the owner.

The warranty provided by OMB does not apply under the following conditions:

- If the product has been drilled, mounted and/or used in any way that is not in accordance with the instructions for use, or if it has been mounted using inappropriate mounting fittings.
- If the product has been modified or repaired by anyone other than OMB.
- If the defect has arisen as a result of external factors (that are not associated with the product), such as lightning strike, water damage, fire, mechanical scratching, storage at extreme temperatures, weather conditions, solvents or corrosive agents, faulty use, or carelessness.
- If the product has been used for equipment other than that specified on the Installation Instruction.

## TRANSPORT AND ASSEMBLY OF THE TOTEM

TOTEM DRAGONFLY is supplied pre-assembled, therefore it is necessary to disassemble some parts to install the monitor.

Two people are required for disassemble and assembly process.

Since the weight of the product is about 80/120 kg, the lifting and the transport should be done with a forklift or similar equipment, or carried by two people simultaneously.

## ATTENTION TO THE GLASS

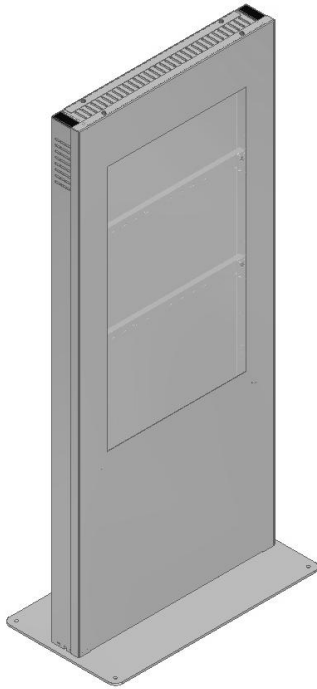
The DRAGONFLY TOTEM can be supplied with or without glass (optional glass). If glass is present, be very careful during transport, disassembly and assembly. To mount the screen it is not necessary to dismantle the front cover with the glass.

# ASSEMBLY PROCESS

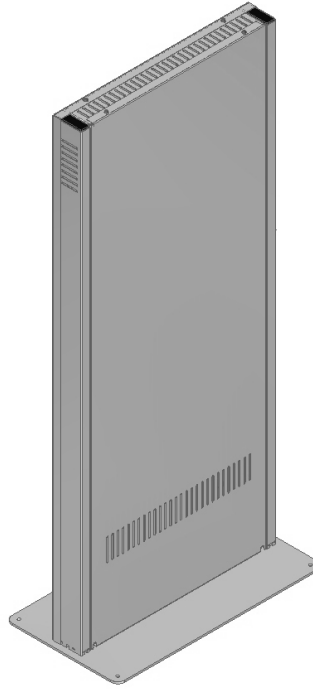
## DISASSEMBLY PROCESS

The product is supplied pre-assembled. In order to install the monitor, it is necessary to remove the covers

Handle the parts you will disassemble with care to prevent scratches and damage to the painted metal parts.



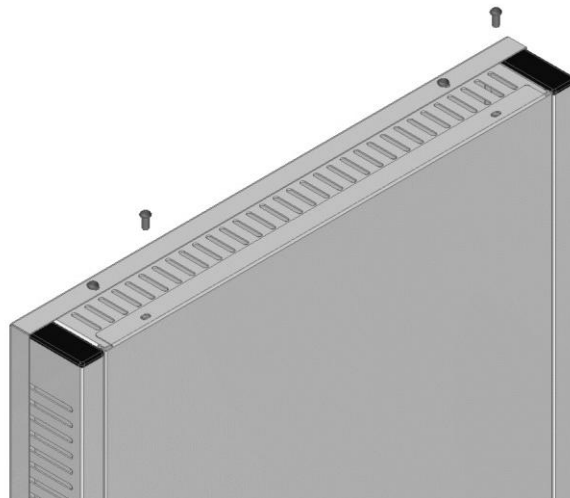
FRONT VIEW



BACK VIEW

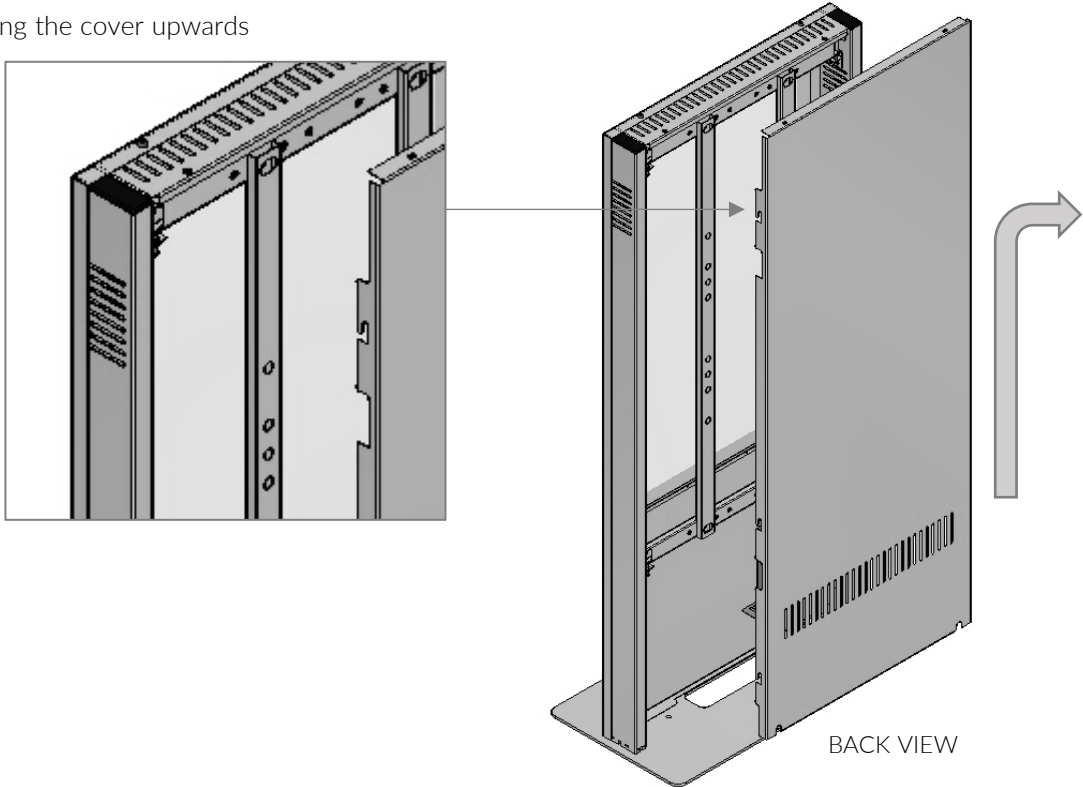
## STEP 1: REMOVE BACK COVER

Unscrew the screws located above the rear cover



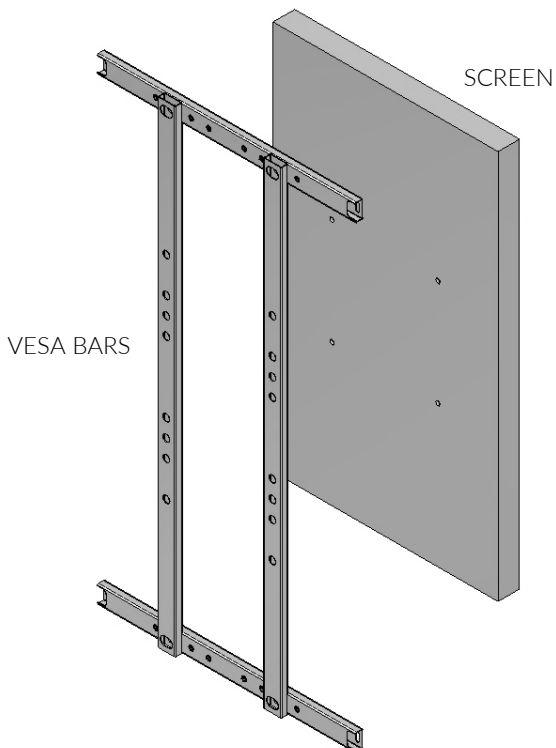
# ASSEMBLY PROCESS

Lift by sliding the cover upwards



## STEP 2: FIX THE VESA BARS TO SCREEN

After removing the cover on the back, attach the VESA bars to the screen.



### WARNING:

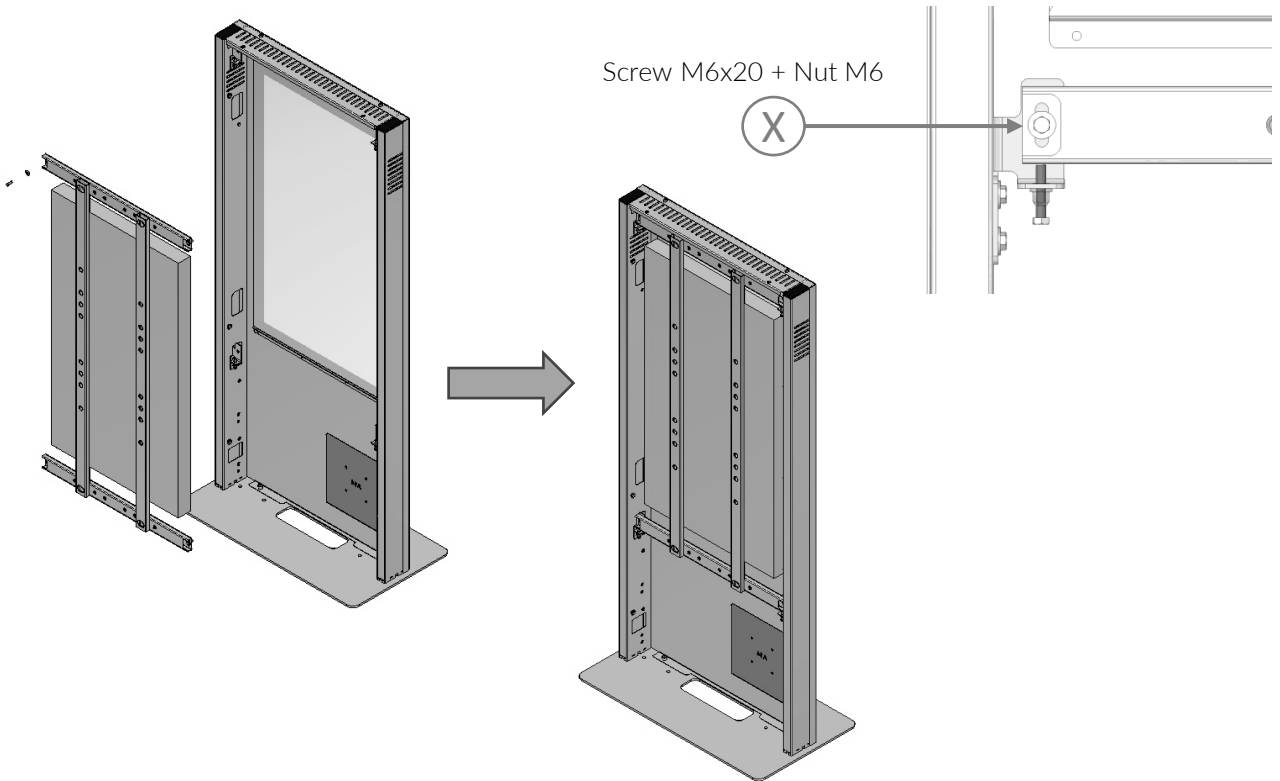
Some screens on the market are quite thin (3-5 cm). In this case, insert the plastic spacers provided between the monitor and the VESA bars. This will allow the monitor to be flush with the front panel. The package includes three types of spacers : 1 cm, 1.5 cm, and 2 cm.



# ASSEMBLY PROCESS

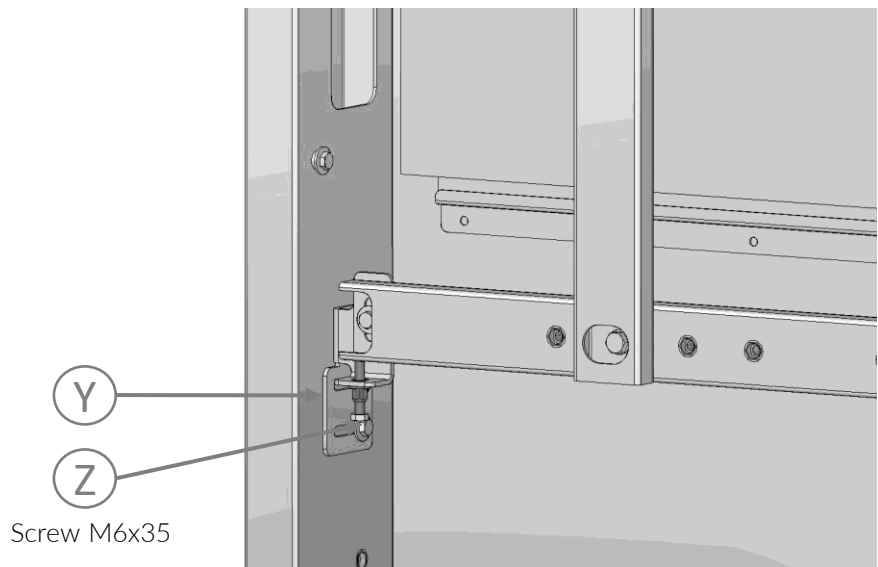
## STEP 3: FIX SCREEN WITH VESA BARS INSIDE THE TOTEM

Place the monitor with the pre-installed VESA bars on the appropriate hooks inside the totem and fasten the screws (X). Two people are needed for this operation.



## STEP 4: MAKE MICRO-ADJUSTMENTS TO POSITION THE SCREEN PROPERLY

If necessary, slide the 4x screen support brackets (Y) forward or backward so that the is as close as possible to the front cover. If the monitor needs to be raised or lowered, tighten or loosen the vertical adjustment screw (Z).



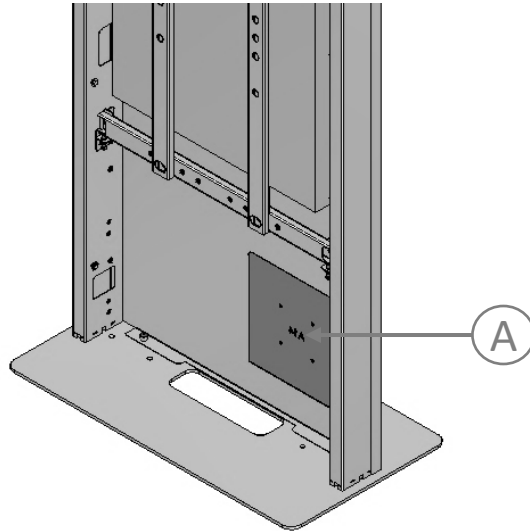
# ASSEMBLY PROCESS

## STEP 5: MAKE SCREEN AND PLAYER CONNECTIONS

At this stage it is possible to carry out all the electrical wiring and video signals  
**Attention: make sure to make all electrical connections in the absence of voltage.**  
Cables can be routed inside the uprights.

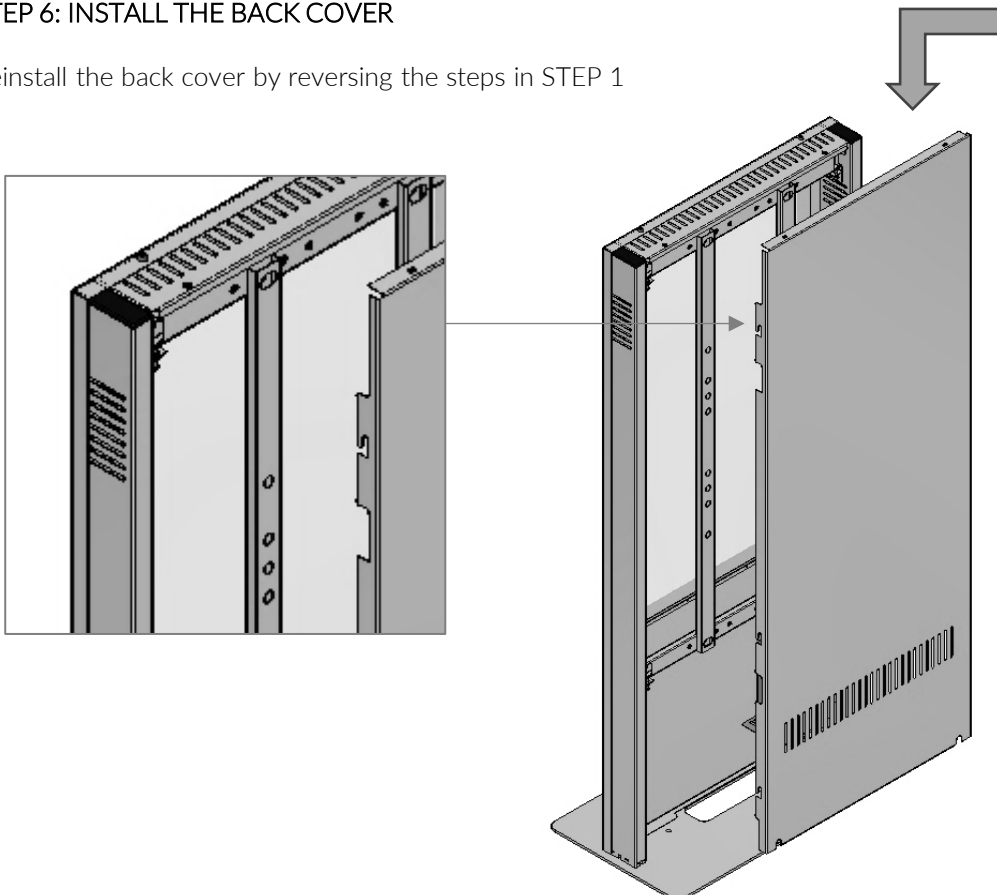
The player can be anchored to the bracket with VESA100 (A)

ATTENTION: bracket with VESA100 is not available for TOTEM 65" and 75"



## STEP 6: INSTALL THE BACK COVER

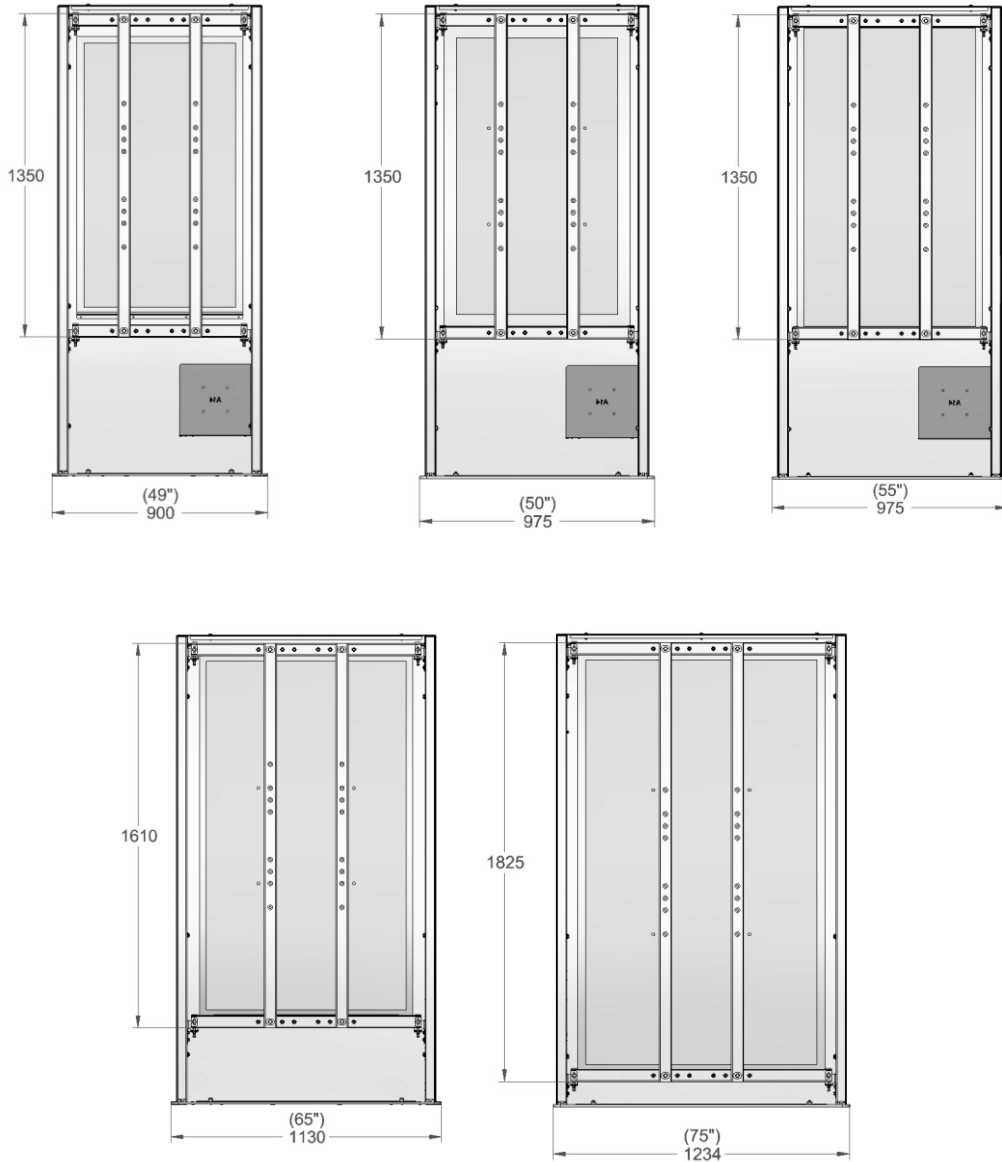
Reinstall the back cover by reversing the steps in STEP 1



# ASSEMBLY PROCESS

## NOTE

The Totem is available for various screen sizes



OMB srl | via Risorgimento 25 | 38070 Stenico (TN)  
Tel. +39.0464.771036 | [info@ombitaly.it](mailto:info@ombitaly.it) | [www.ombitaly.it](http://www.ombitaly.it)