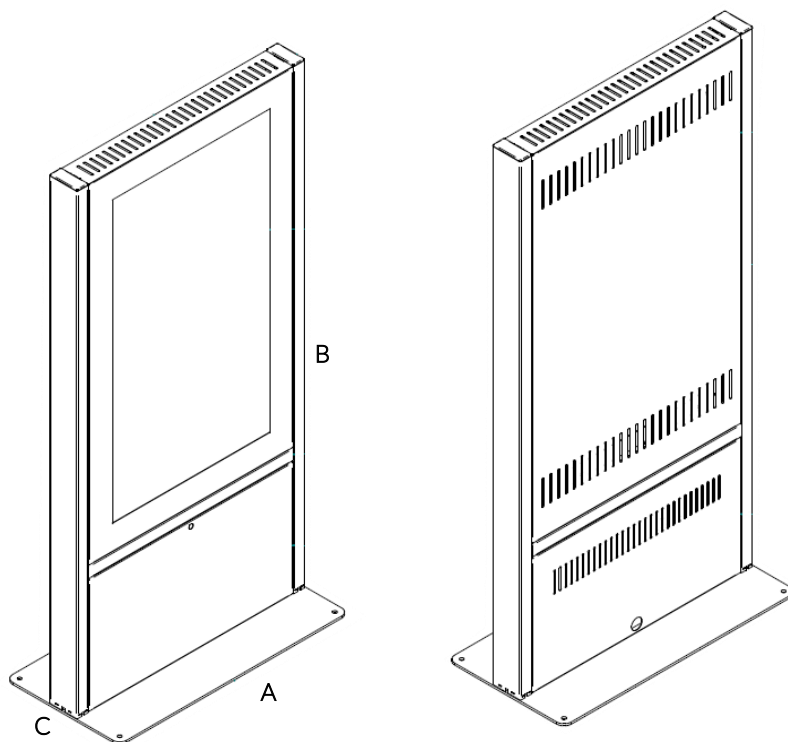


INSTALLATION INSTRUCTIONS

TOTEM ESSENTIAL



Model name	TOTEM EXTERNAL DIMENSION (mm)			Freestanding Base dimension (mm)	Weight
	Width (A)	Height (B)	Depth (C)	Width x Depth	Product Weight
ESSENTIAL 55	995	1993	120	995x495	138 Kg
ESSENTIAL 65	1250	2208	150	1250x495	169 Kg

ESSENTIAL 55	995	1993	120	995x495	138 Kg
ESSENTIAL 65	1250	2208	150	1250x495	169 Kg

Model name	SCREEN DIMENSION		max screen weight capacity	Max Display Depth if front glass mounted (without glass)	Max Display Width if front glass mounted (without glass)	Max Display Height if front glass mounted (without glass)
	Screen Size	max VESA				
ESSENTIAL 55	55"	max 400x600	50 Kg	80 (85) mm	725 (770) mm	1260 (1295) mm
ESSENTIAL 65	65"	max 400x600	50 Kg	100 (105) mm	845 (890) mm	1470 (1505) mm

ESSENTIAL 55	55"	max 400x600	50 Kg	80 (85) mm	725 (770) mm	1260 (1295) mm
ESSENTIAL 65	65"	max 400x600	50 Kg	100 (105) mm	845 (890) mm	1470 (1505) mm

REL 2023 - document code IST09208

SAFETY INSTRUCTION

WARNING

A correct mounting is extremely important and this is not the responsibility of OMB srl. Faulty mounting may result in injury to persons or damage to equipment. OMB will not be responsible in any way if the product has been mounted incorrectly. Mounting fittings are not included with the product for reasons of safety, since the properties and bearing strength of floor are specific for each case. Suitable mounting fittings must be selected based on the material of the floor. Obtain advice from a specialist in the field or from a specialist shop concerning the choice of mounting fittings. It is the responsibility of the installer to ensure that the floor can support at least four times the combined weight of the screen and totem. The maximum load for this product is given in the table in these installation instructions. The instructions for installation and use of the screen must also be followed with respect to the location and attachment of the screen.

WARRANTY TERMS AND CONDITIONS

OMB guarantees that a product that OMB has determined to be defective as a result of deficient manufacture or material will be repaired or – if necessary – replaced, without cost, on condition that a claim is made within the period of warranty, which is 3 years. The guarantee does not apply for normal wear and tear.

In the event of a claim being made under the terms of the warranty, the product and the original purchase receipt are to be returned to OMB. The name of the supplier and the date of purchase must be clearly legible on the receipt. The owner is to pay the cost of returning the product to OMB, while OMB is to pay the cost of returning the product subsequently to the owner.

The warranty provided by OMB does not apply under the following conditions:

- If the product has been drilled, mounted and/or used in any way that is not in accordance with the instructions for use, or if it has been mounted using inappropriate mounting fittings.
- If the product has been modified or repaired by anyone other than OMB.
- If the defect has arisen as a result of external factors (that are not associated with the product), such as lightning strike, water damage, fire, mechanical scratching, storage at extreme temperatures, weather conditions, solvents or corrosive agents, faulty use, or carelessness.
- If the product has been used for equipment other than that specified on the Installation Instruction.

TRANSPORT AND ASSEMBLY OF THE TOTEM

TOTEM ESSENTIAL is supplied pre-assembled, therefore it is necessary to disassemble some parts to install the monitor.

Two people are required for disassemble and assembly process.

Since the weight of the product is about 140/200 kg, the lifting and the transport should be done with a forklift or similar equipment, or carried by two people simultaneously.

ATTENTION TO THE GLASS

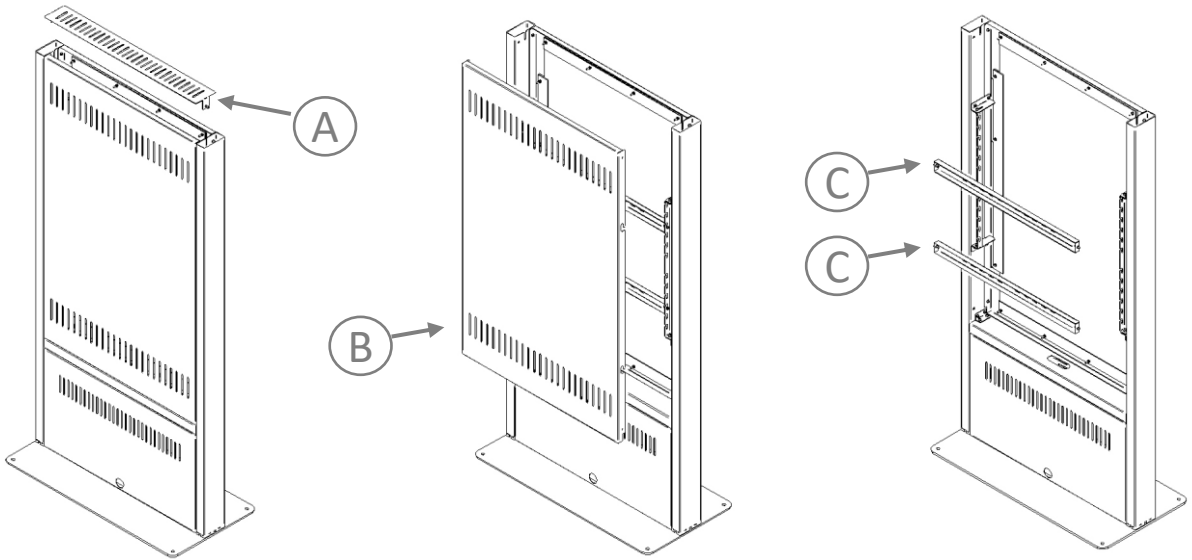
The ESSENTIAL TOTEM can be supplied with or without glass (optional glass). If glass is present, be very careful during transport, disassembly and assembly. To mount the screen it is not necessary to dismantle the front cover with the glass.

ASSEMBLY PROCESS

DISASSEMBLY PROCESS

Handle the parts you will disassemble with care to prevent scratches and damage to the painted metal parts.

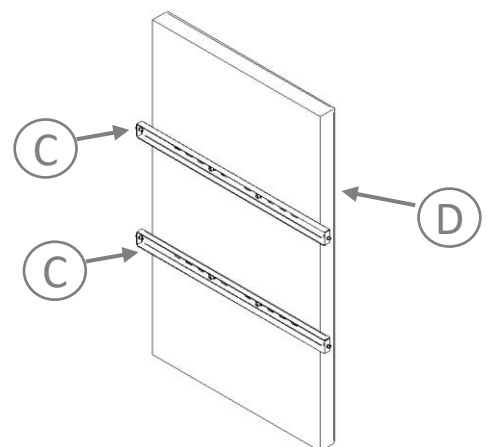
1. Take off the top (A) fixed with two screws.
2. After removing the top (A), you can release the back cover (B) by lifting it slightly.
3. Extract the two horizontal crossbars (C) of the VESA support.



ASSEMBLY PROCESS

Screw the two bars (C) into the holes on the back of the screen (D), use the screws supplied with the screen and follow the assembly instructions supplied with the screen itself.

Keep in mind that the position of the screen is only in portrait.

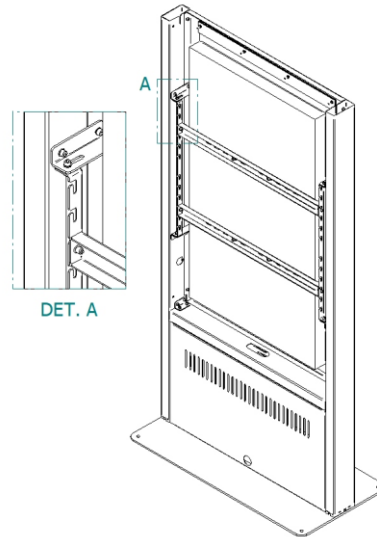


ASSEMBLY PROCESS

Now it is possible to hook the monitor to the two side bars pre-assembled on the totem as shown in the figure.

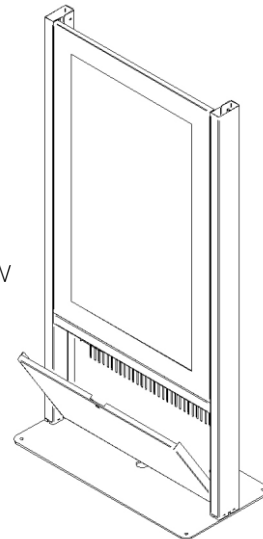
Position the screen so that the visual portion of display matches the front cover window.

If looking at the front of the Totem you see a space between the metal structure and the screen, it is possible to move the screen towards/away by acting on the adjustment as shown in detail A of the figure.



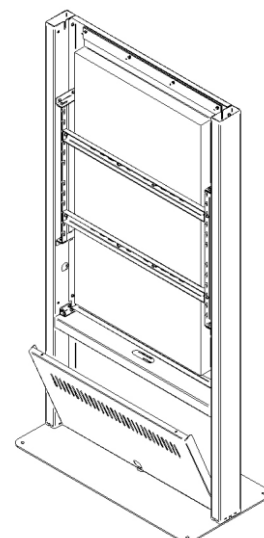
Once the screen is installed and centered, you can proceed with the wiring of the various power and signal cables (not included in the totem supply).

FRONT VIEW



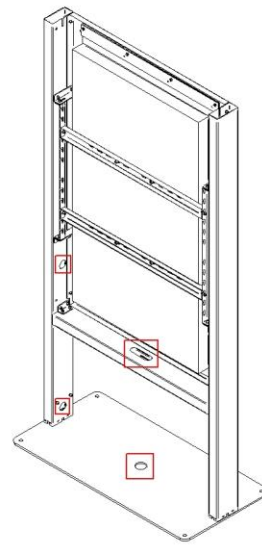
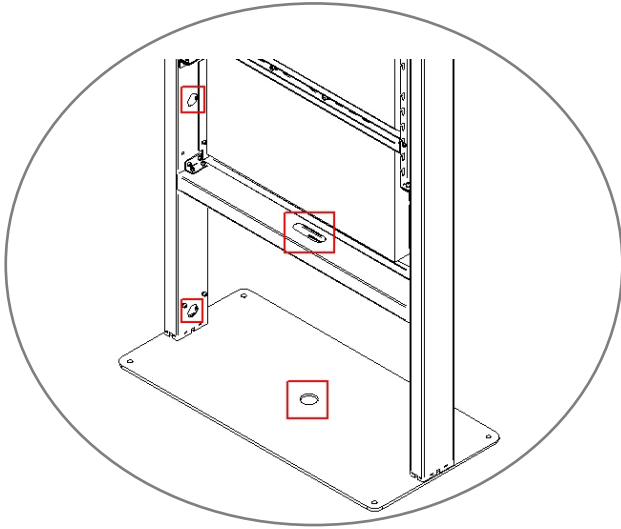
The front and back covers of the lower part of the Totem are removable. The front cover opens with the key, while the back cover slides off from bottom to top.

BACK VIEW

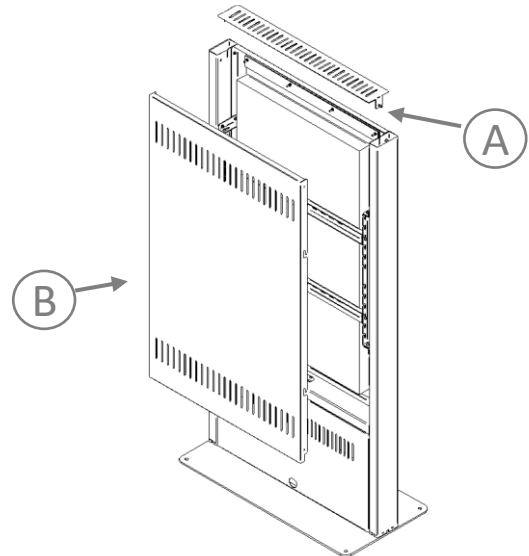


ASSEMBLY PROCESS

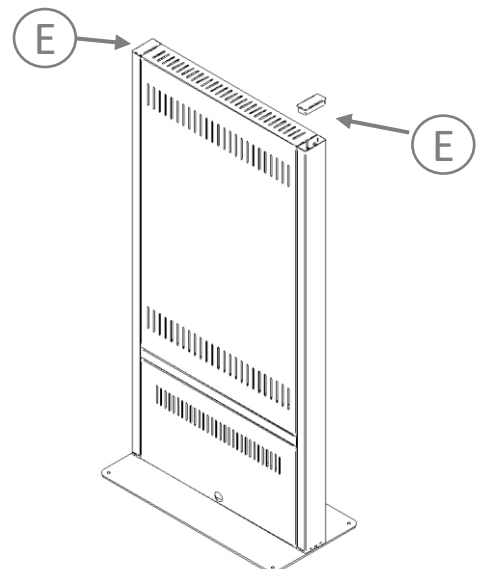
In the figure on the side, you see the holes available for passing the power and signal cables.



Now you can reassemble the back cover (B) and top cover (A).



As a last step you can insert the 2x caps (E) on the top of the two uprights.



OMB srl | via Risorgimento 25 | 38070 Stenico (TN)
Tel. +39.0464.771036 | info@ombitaly.it | www.ombitaly.it