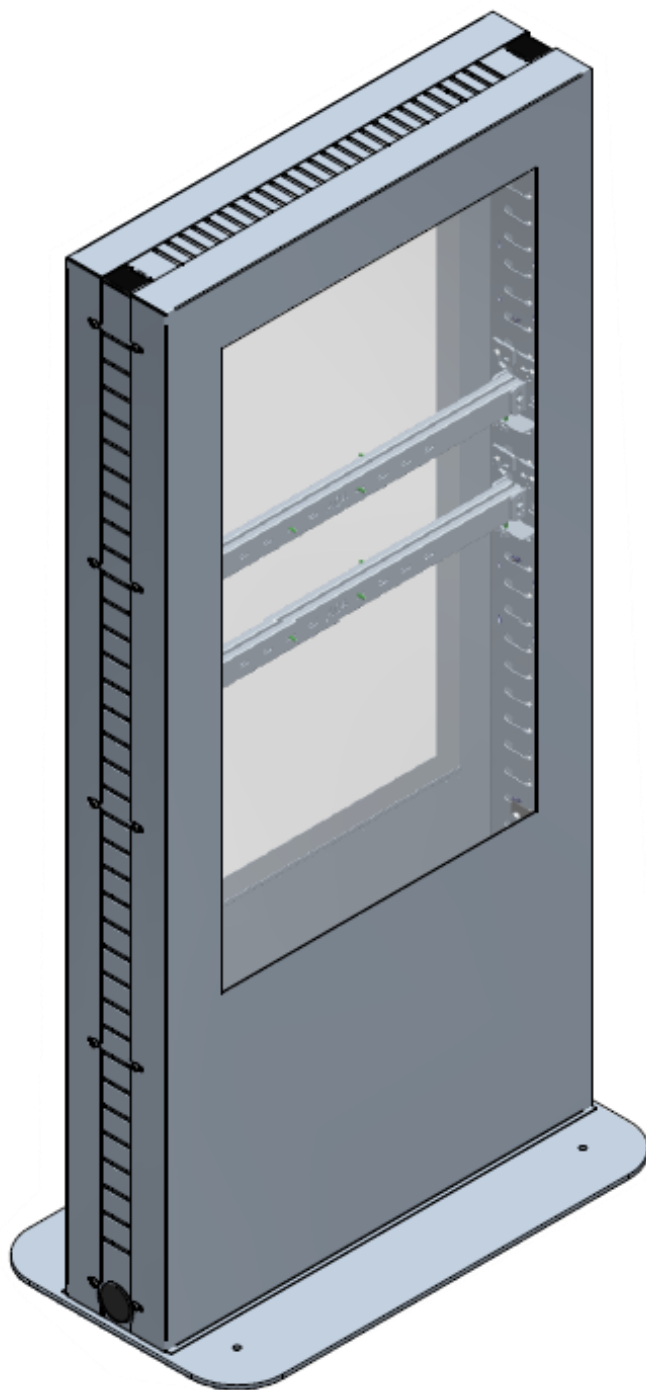


# INSTALLATION INSTRUCTIONS

## TOTEM LIGHT DOUBLE SIDE



REL 2024 - document code IST09271

# SAFETY INSTRUCTION

## WARNING

A correct mounting is extremely important and this is not the responsibility of OMB srl. Faulty mounting may result in injury to persons or damage to equipment. OMB will not be responsible in any way if the product has been mounted incorrectly. Mounting fittings are not included with the product for reasons of safety, since the properties and bearing strength of floor are specific for each case. Suitable mounting fittings must be selected based on the material of the floor. Obtain advice from a specialist in the field or from a specialist shop concerning the choice of mounting fittings. It is the responsibility of the installer to ensure that the floor can support at least four times the combined weight of the screen and totem. The maximum load for this product is given in the table in these installation instructions. The instructions for installation and use of the screen must also be followed with respect to the location and attachment of the screen.

## WARRANTY TERMS AND CONDITIONS

OMB guarantees that a product that OMB has determined to be defective as a result of deficient manufacture or material will be repaired or – if necessary – replaced, without cost, on condition that a claim is made within the period of warranty, which is 3 years. The guarantee does not apply for normal wear and tear.

In the event of a claim being made under the terms of the warranty, the product and the original purchase receipt are to be returned to OMB. The name of the supplier and the date of purchase must be clearly legible on the receipt. The owner is to pay the cost of returning the product to OMB, while OMB is to pay the cost of returning the product subsequently to the owner.

The warranty provided by OMB does not apply under the following conditions:

- If the product has been drilled, mounted and/or used in any way that is not in accordance with the instructions for use, or if it has been mounted using inappropriate mounting fittings.
- If the product has been modified or repaired by anyone other than OMB.
- If the defect has arisen as a result of external factors (that are not associated with the product), such as lightning strike, water damage, fire, mechanical scratching, storage at extreme temperatures, weather conditions, solvents or corrosive agents, faulty use, or carelessness.
- If the product has been used for equipment other than that specified on the Installation Instruction.

## TRANSPORT AND ASSEMBLY OF THE TOTEM

TOTEM LIGHT DOUBLE SIDE is supplied pre-assembled, therefore it is necessary to disassemble some parts to install the monitor.

Two people are required for disassemble and assembly process.

Since the weight of the product is about 80/120 kg, the lifting and the transport should be done with a forklift or similar equipment, or carried by two people simultaneously.

## ATTENTION TO THE GLASS

The LIGHT DOUBLE SIDE TOTEM can be supplied with or without glass (optional glass). If glass is present, be very careful during transport, disassembly and assembly. To mount the screen it is not necessary to dismantle the front cover with the glass.

# ASSEMBLY PROCESS

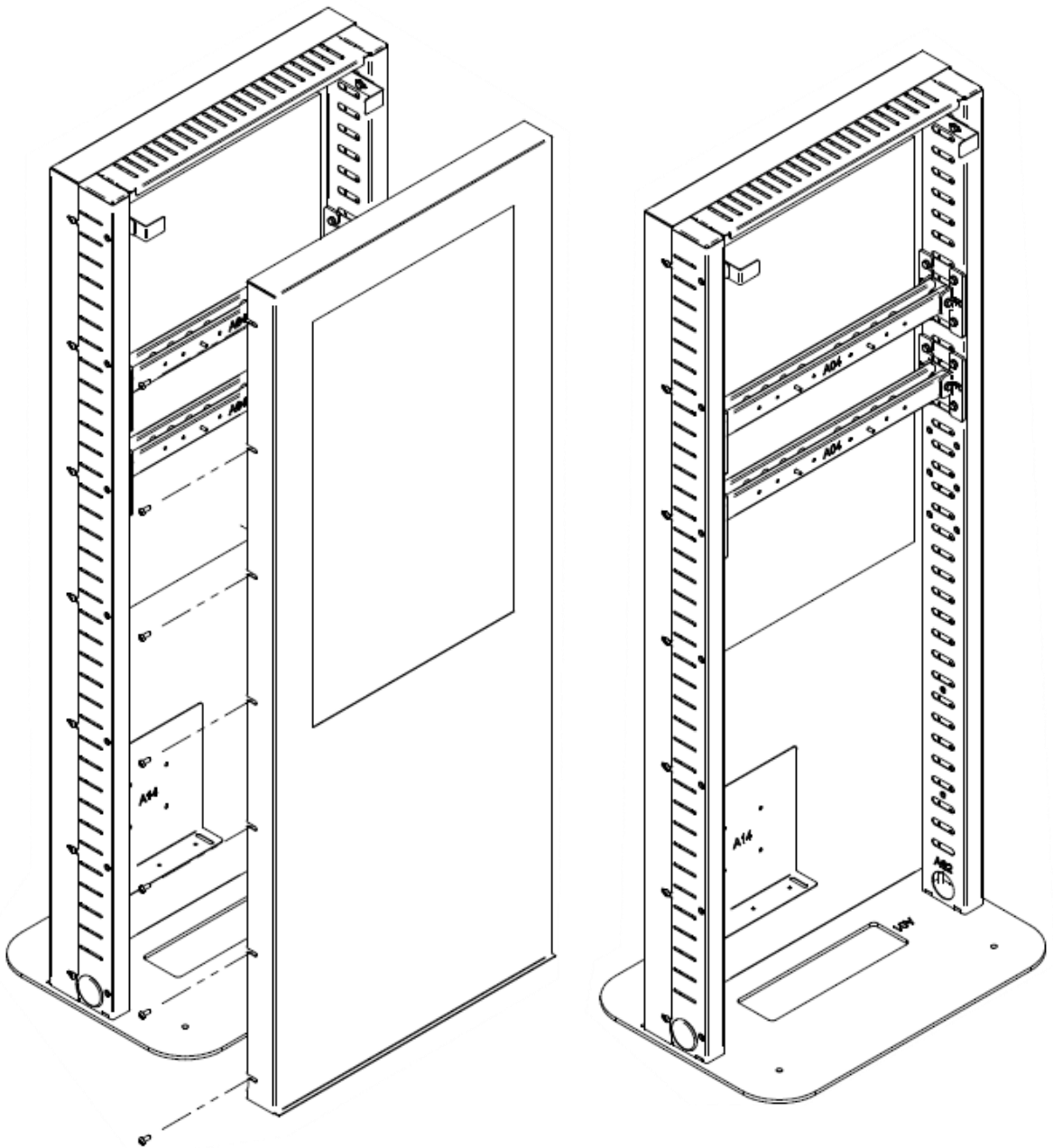
## DISASSEMBLY PROCESS

The product is supplied pre-assembled. In order to install the screens, it is necessary to remove the covers

Handle the parts you will disassemble with care to prevent scratches and damage to the painted metal parts.

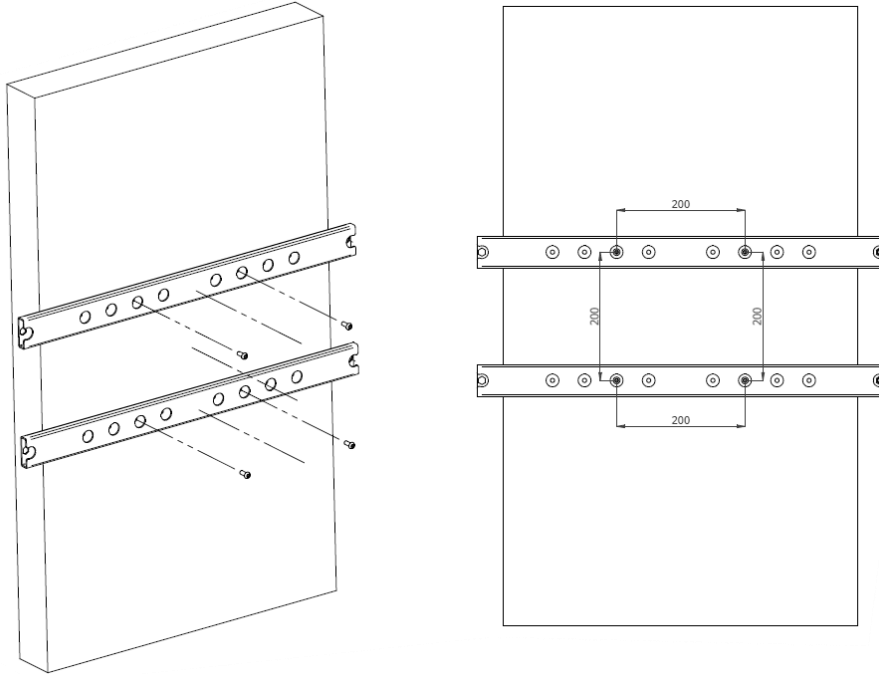
### STEP 1: REMOVE BACK AND FRONT COVERS

Unscrew the lateral screws and remove the covers

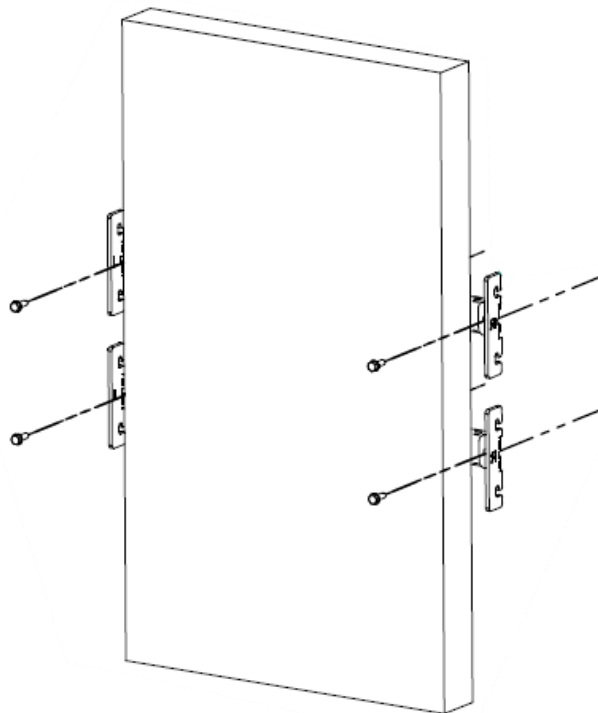


# ASSEMBLY PROCESS

## STEP 2: FIX THE VESA BRACKET ON YOUR SCREENS

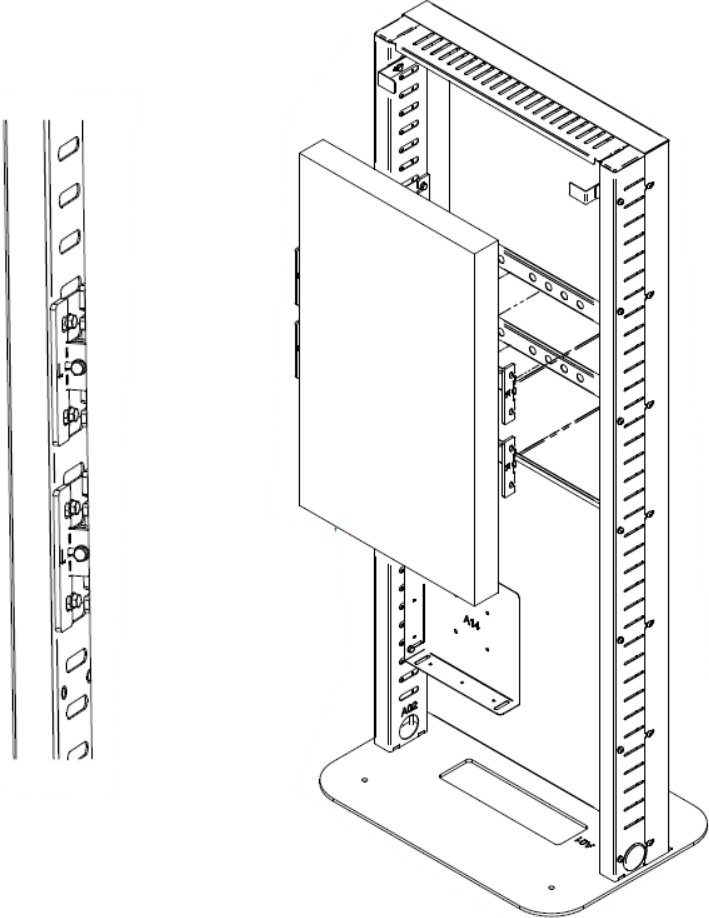


## STEP 3: ADD THE BRACKET TO VESA BAR

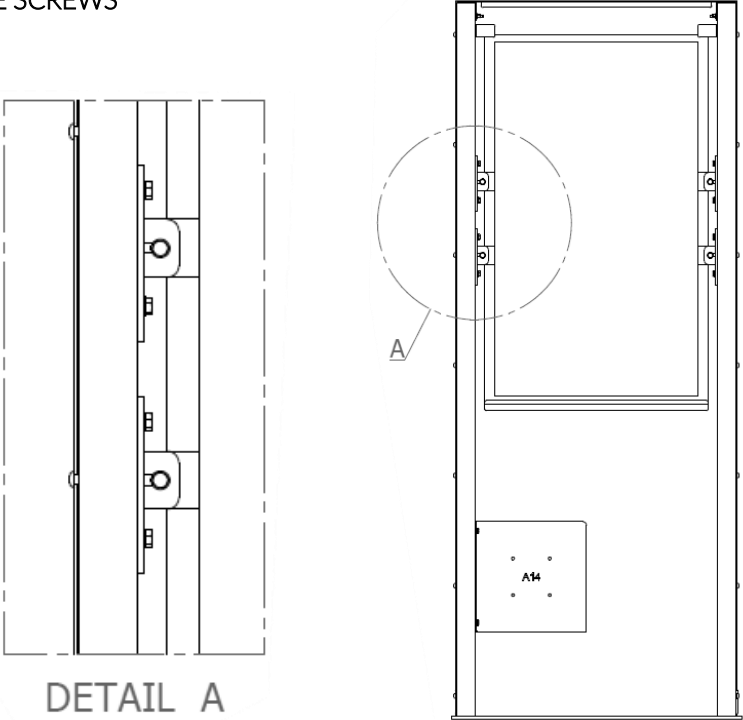


# ASSEMBLY PROCESS

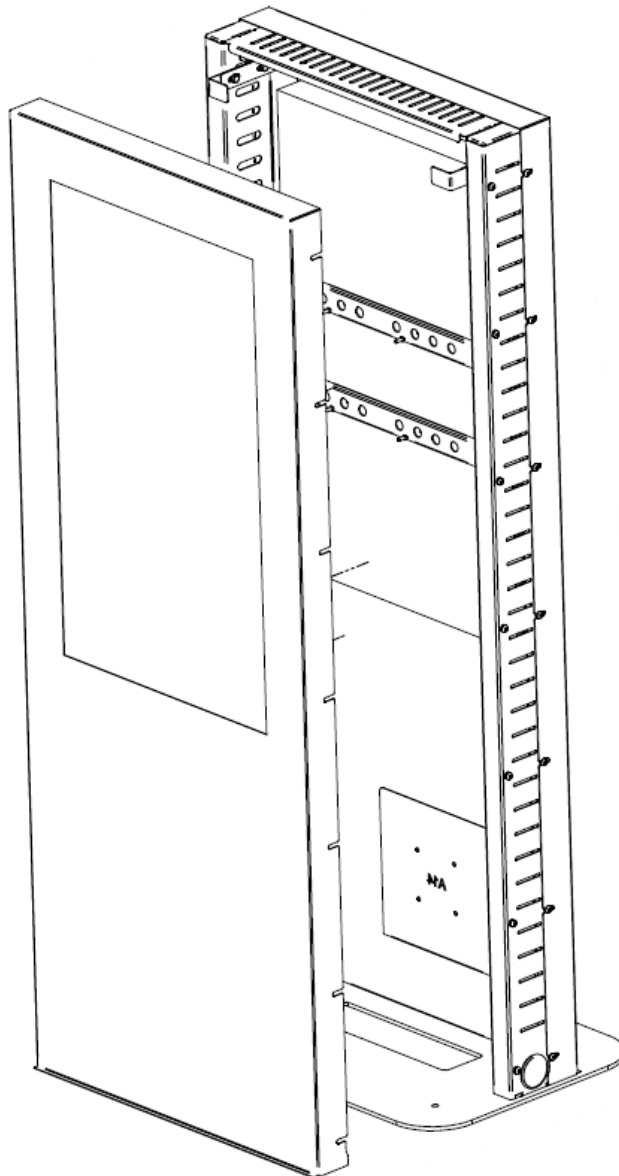
## STEP 4: FIX THE SCREEN AND VESA BARS INSIDE THE TOTEM



## STEP 5: TIGHTEN THE SIDE SCREWS



STEP 6: FIX THE COVERS BY MOVING THEM CLOSER OR FURTHER ACCORDING TO THE THICKNESS OF THE SCREEN



## KEEP IN MIND

Attention: make sure to make all electrical connections in the absence of voltage.

Cables can be routed inside the uprights.

The player can be anchored to the bracket with VESA100