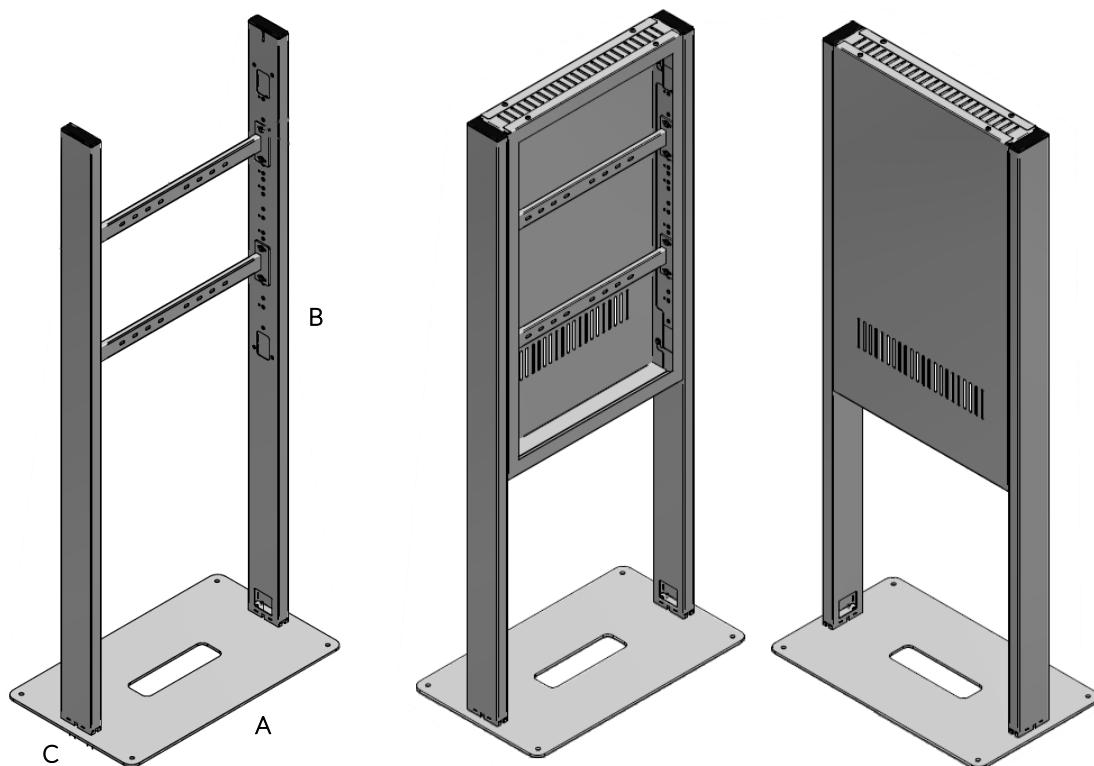


# INSTALLATION INSTRUCTIONS

## WINDOW GATE



WINDOW GATE  
without cover

WINDOW GATE  
with cover

MODEL NAME	Totem external dimension (mm)			Freestanding base dimension (mm)	Weight
	Width (A)	Height (B)	Depth (C)	Width x Depth	Product Weight

WINDOW GATE 49	825	1947	120	825 x 490	62
WINDOW GATE 55	924	1947	120	924 x 490	68

MODEL NAME	Screen size	Screen position	Min VESA	Max VESA	Max screen weight capacity	Min/Max Display Depth with cover installed
------------	-------------	-----------------	----------	----------	----------------------------	--

WINDOW GATE 49	49"	Portrait	200x200	400x600	50 Kg	min 49,5   max 74,5
WINDOW GATE 55	55"	Portrait	200x200	400x600	50 Kg	min 49,5   max 74,5

REL 2024 - document code IST09267

# SAFETY INSTRUCTION

## WARNING

A correct mounting is extremely important and this is not the responsibility of OMB srl. Faulty mounting may result in injury to persons or damage to equipment. OMB will not be responsible in any way if the product has been mounted incorrectly. Mounting fittings are not included with the product for reasons of safety, since the properties and bearing strength of floor are specific for each case. Suitable mounting fittings must be selected based on the material of the floor. Obtain advice from a specialist in the field or from a specialist shop concerning the choice of mounting fittings. It is the responsibility of the installer to ensure that the floor can support at least four times the combined weight of the screen and totem. The maximum load for this product is given in the table in these installation instructions. The instructions for installation and use of the screen must also be followed with respect to the location and attachment of the screen.

## WARRANTY TERMS AND CONDITIONS

OMB guarantees that a product that OMB has determined to be defective as a result of deficient manufacture or material will be repaired or – if necessary – replaced, without cost, on condition that a claim is made within the period of warranty, which is 3 years. The guarantee does not apply for normal wear and tear.

In the event of a claim being made under the terms of the warranty, the product and the original purchase receipt are to be returned to OMB. The name of the supplier and the date of purchase must be clearly legible on the receipt. The owner is to pay the cost of returning the product to OMB, while OMB is to pay the cost of returning the product subsequently to the owner.

The warranty provided by OMB does not apply under the following conditions:

- If the product has been drilled, mounted and/or used in any way that is not in accordance with the instructions for use, or if it has been mounted using inappropriate mounting fittings.
- If the product has been modified or repaired by anyone other than OMB.
- If the defect has arisen as a result of external factors (that are not associated with the product), such as lightning strike, water damage, fire, mechanical scratching, storage at extreme temperatures, weather conditions, solvents or corrosive agents, faulty use, or carelessness.
- If the product has been used for equipment other than that specified on the Installation Instruction.

## TRANSPORT AND ASSEMBLY OF THE TOTEM

Two people are required for assembly process.

Since the weight of the product is about 70 Kg, the lifting and the transport should be done with a forklift or similar equipment, or carried by two people simultaneously.

# ASSEMBLY PROCESS

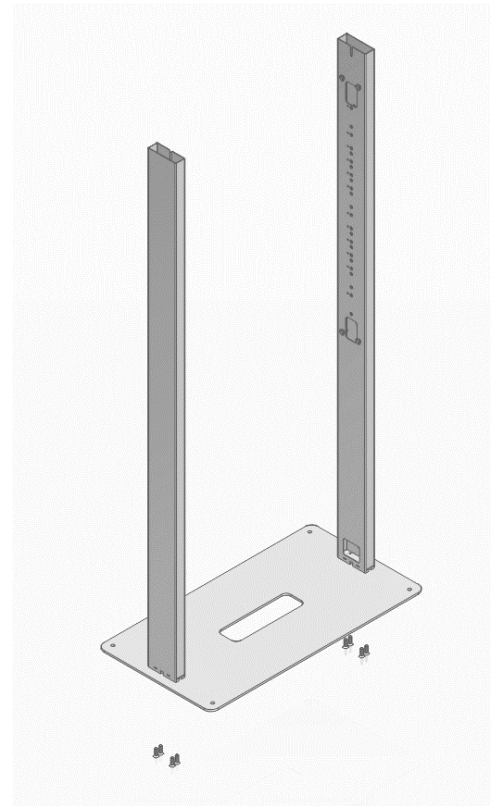
The WINDOW GATE solution is delivered in 3 boxes, 1 of which is optional (screen covers).

- KIT 1: includes floor base and VESA brackets
- KIT 2: include the side uprights
- KIT 3 (OPTIONAL): include front and back covers

Handle the parts you will assemble with care to prevent scratches and damage to the painted metal parts.

## STEP 1: FLOOR BASE AND UPRIGHTS

Fix the side uprights to the base using 8x screws M8x30

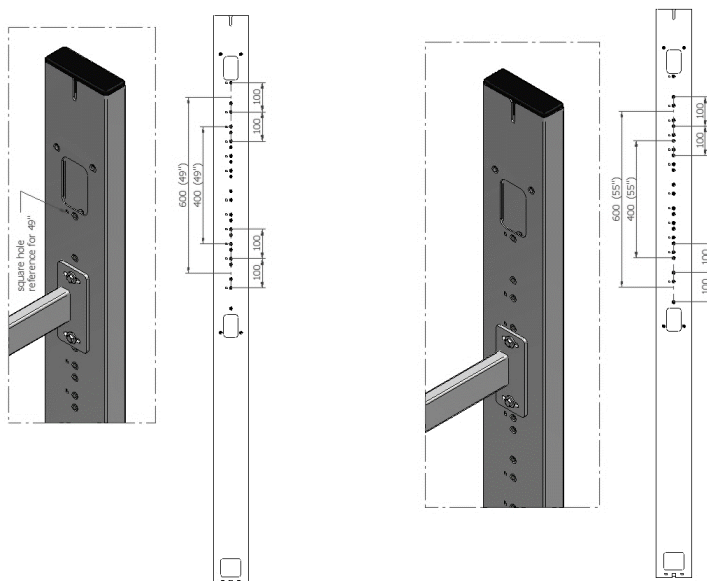
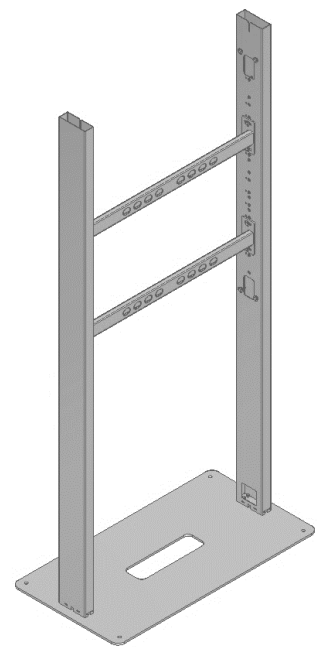


## STEP 2: FIX THE VESA BARS AND MOUNT THE SCREEN

Fix the 2x horizontal VESA bars to the side uprights using 8x washer M6 and 8x screws M6x20.

**Please note:** WINDOW GATE is designed to accommodate both 49" and 55" screens. The holes on the uprights marked with a square are for 49" monitors.

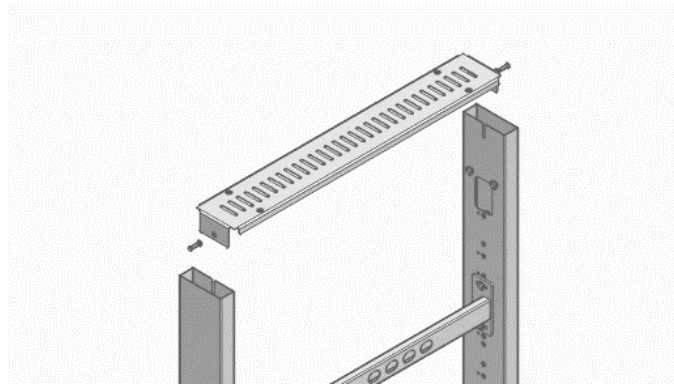
You can now install the screen.  
Cables can be routed inside the side uprights.



# ASSEMBLY PROCESS

## STEP 3: INSTALL TOP COVER

Fix the upper cover using 2x washer M6 and 2x screws M6x20

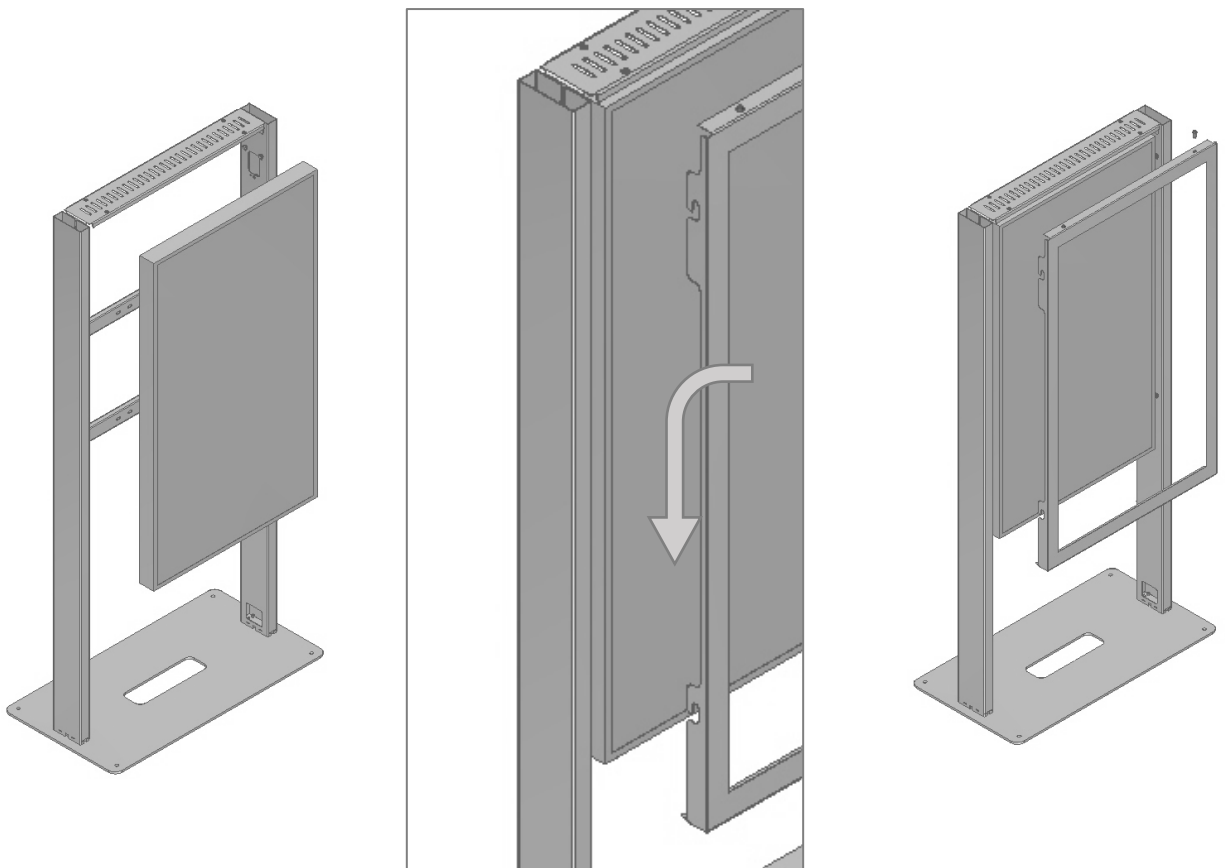


## STEP 4: INSTALL FRONT COVER

For this operation the screen must already be installed.

Insert the front cover from top to bottom to fit it into the appropriate slots.

Fix the cover at the top with 2 screws M8x30



# ASSEMBLY PROCESS

## STEP 5: ADJUST THE SCREEN POSITION

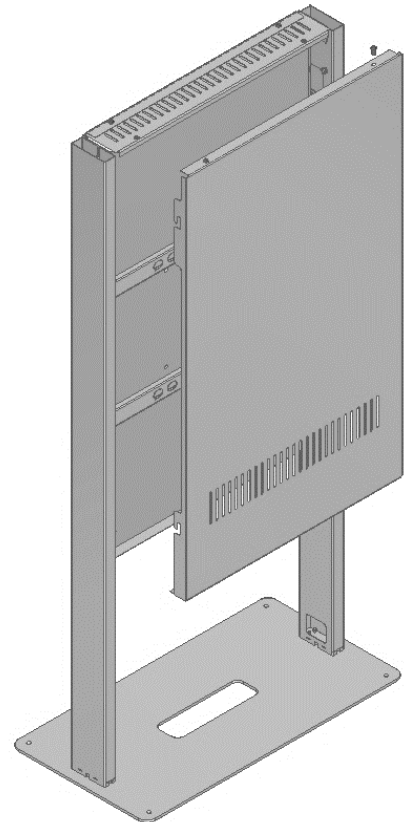
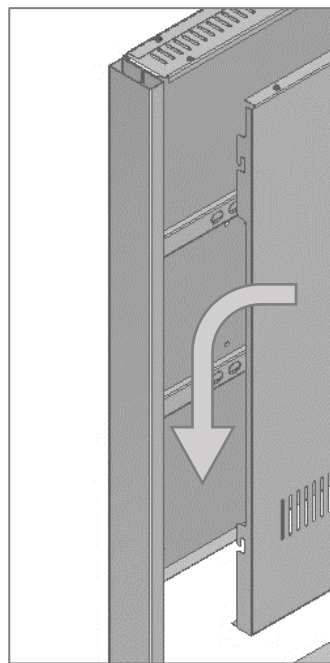
Move the screen closer until it rests against the front cover.



## STEP 6: INSTALL BACK COVER

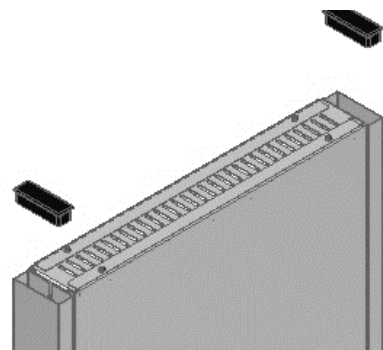
Insert the back cover from top to bottom to fit it into the appropriate slots.

Fix the cover at the top with 2 screws M8x30



## STEP 7: TOP CAPS

Insert the two plastic caps on the top of the side uprights



OMB srl | via Risorgimento 25 | 38070 Stenico (TN)  
Tel. +39.0464.771036 | [info@ombitaly.it](mailto:info@ombitaly.it) | [www.ombitaly.it](http://www.ombitaly.it)