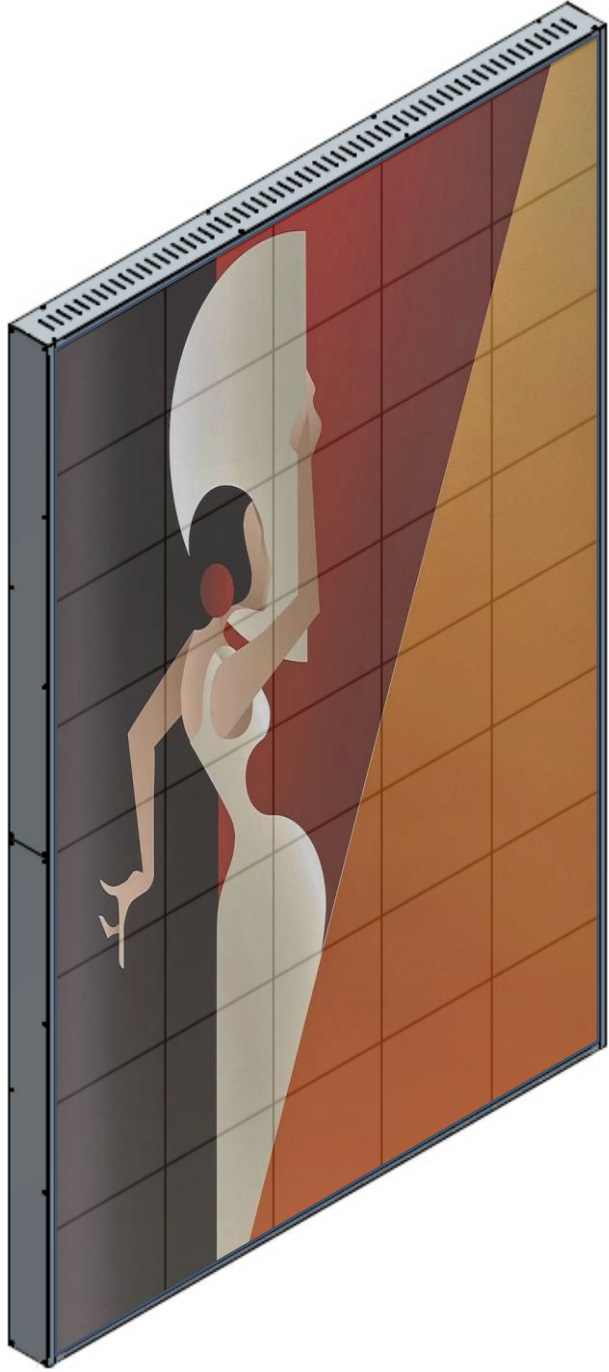


# dvLED OUTDOOR STRUCTURES

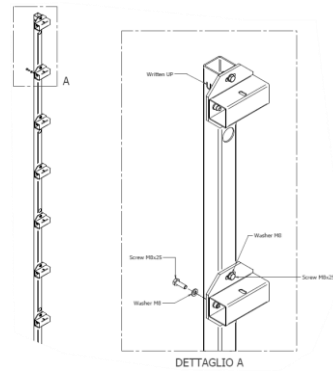
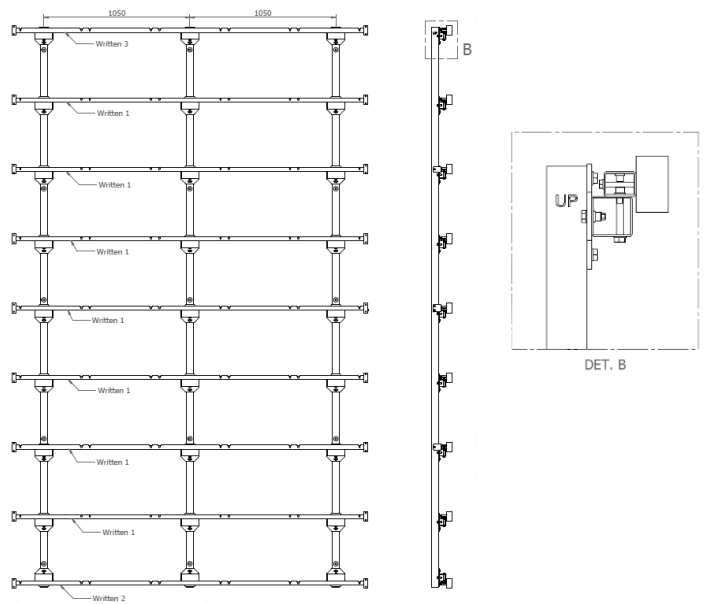
## PROFESSIONAL DISPLAY SUPPORT



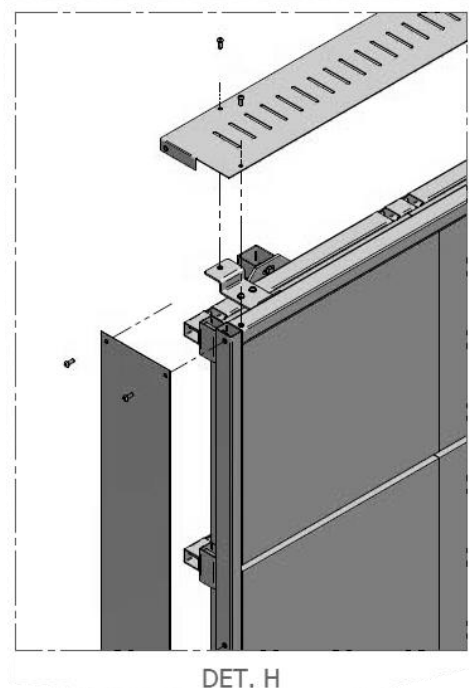
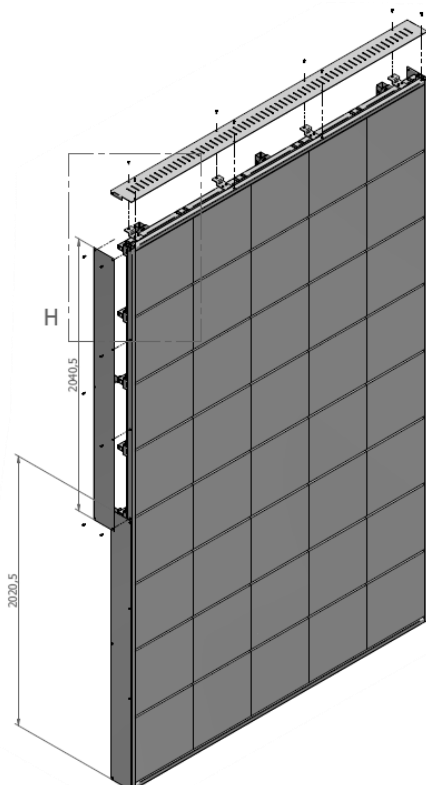
The dvLED structures are customized based on the total size of the LED and the model/brand of tile used

The structure is produced with galvanized material and painted with primer plus black paint RAL9005

The structure is simple to install thanks to precise assembly instructions and allows adjustment of the X, Y and Z axes



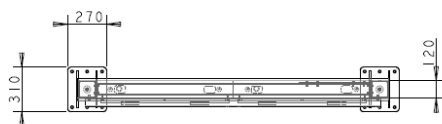
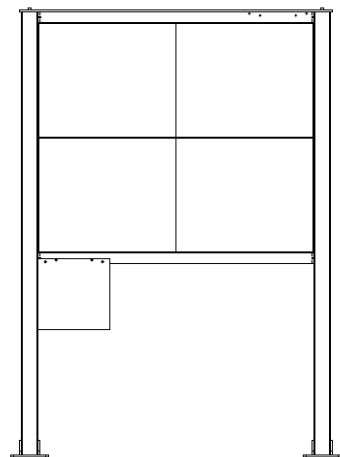
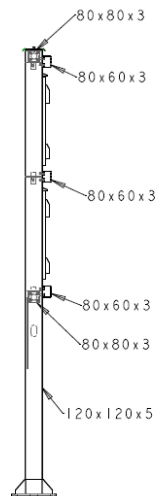
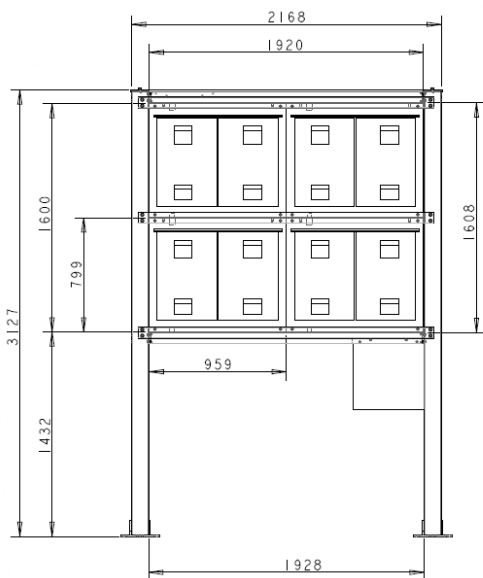
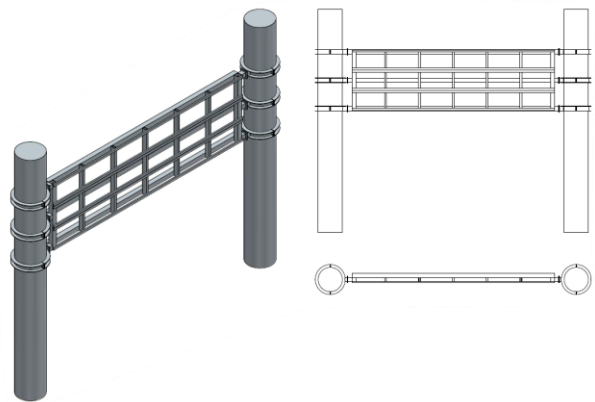
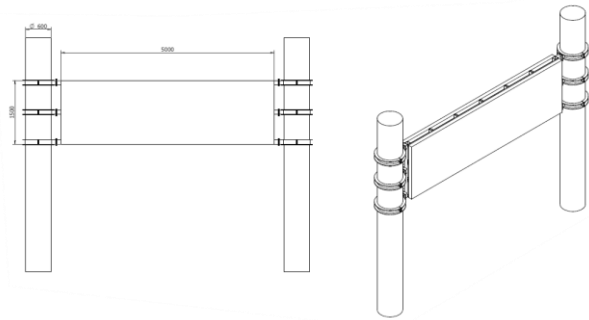
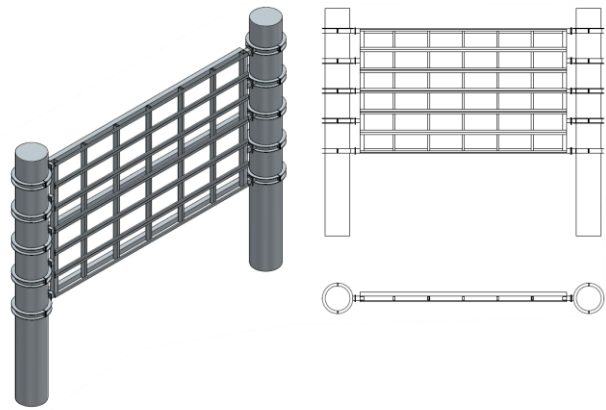
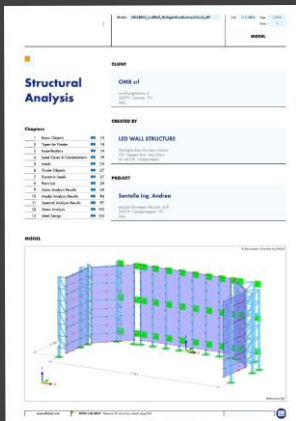
A metal frame around the dvLED allows you to protect the edges of the LED and at the same time guarantee internal ventilation.



OMB has specific expertise in the development and production of outdoor digital billboard structures.

The maximum dimensions provided for this specific type of solutions are with a maximum height and width of 5 meters.

For these complex structures OMB always provides the structural calculation report (English or Italian language)





OMB srl | Via Risorgimento, 25 | 38070 STENICO (TN) | ITALY  
Tel. +39 0465 771036 | [omb@ombitaly.it](mailto:omb@ombitaly.it) | [www.ombitaly.it](http://www.ombitaly.it)