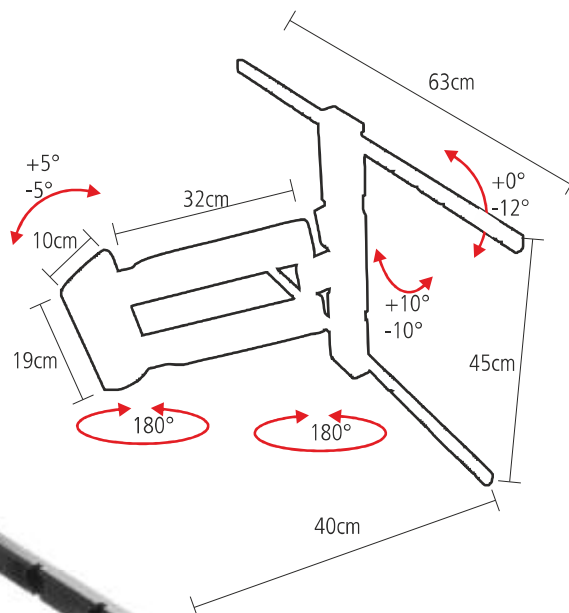


# Smart 2

● COD. 0.944

Supporto murale a due snodi, inclinabile per tv a schermo piatto, con distanza minima da parete di 40 mm

Inclinable wall support with two articulations.  
Suitable for flat screen TVs. Min wall distance: 40 mm



Rotazione 180°-180° inclinazione +0 / -12°.

Rotazione tv di +/-15°

Copertura cavi

Vesa 200/200\*300/300\*200/300/400\*

200/400\*300/400/600\*400

Colore nero

Portata max 25 kg (55 lbs)

Distanza dal muro min 40 – max 400 mm

Sistema di aggancio rapido

GB

Rotation: 180°- 180°, tilt angle: +0 / -12°.

TV rotation : +/- 15°

Cable management

Vesa connection: 200/200\*300/300\*200/300/400\*

200/400\*300/400/600\*400

Colour: black

Max. weight capacity: 25 kg (55 lbs)

Wall distance: min 40 mm – max 400mm

Quick hooking system