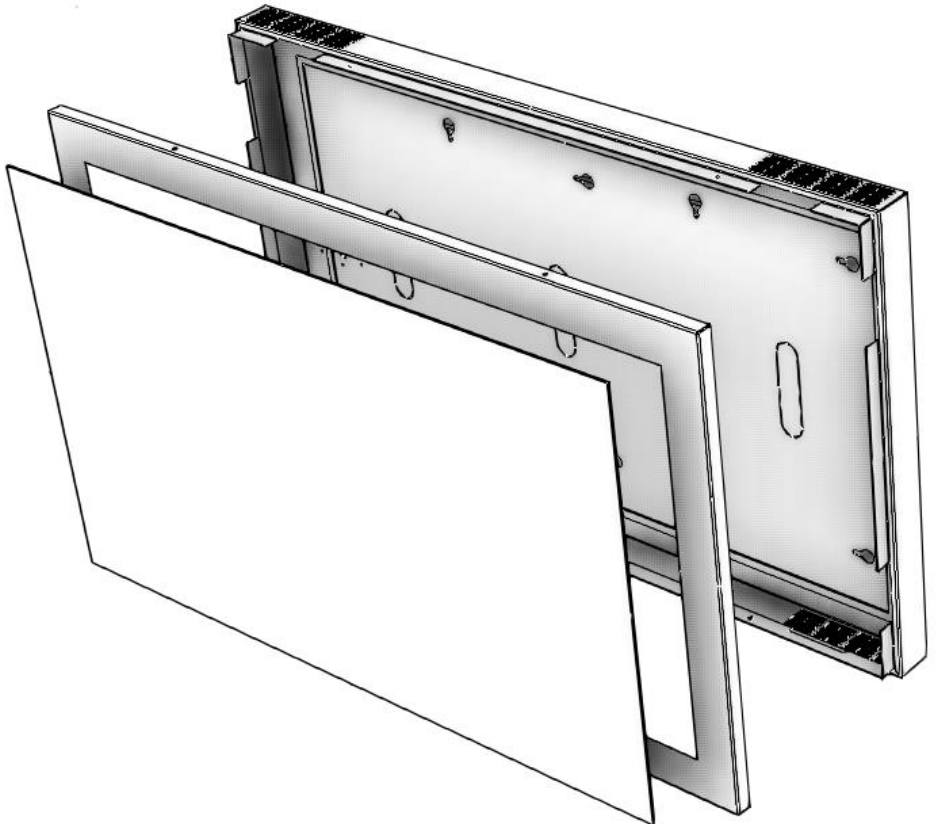


THE WALL INDOOR ENCLOSURE
PROFESSIONAL DISPLAY SUPPORT



THE WALL INDOOR is an excellent choice for the lobby, stairway, next to the elevators - or anywhere the public should be met with information or engaging messages. A perfect way to show the list of tenants in a corporate or residential building. The display will be covered from all sides.

Landscape or portrait?
OMB THE WALL can be used both in landscape and portrait orientation, simply choose when mounting.

THE WALL INDOOR is available for different monitor sizes from 32" to 75".

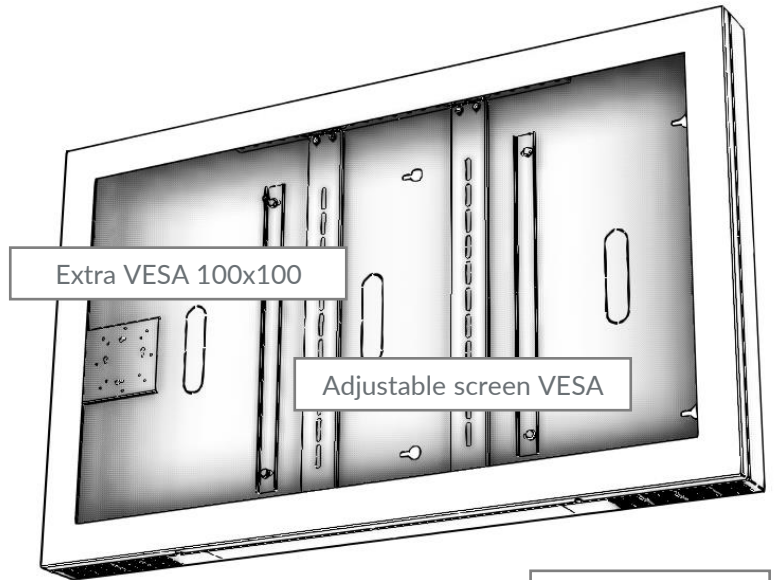
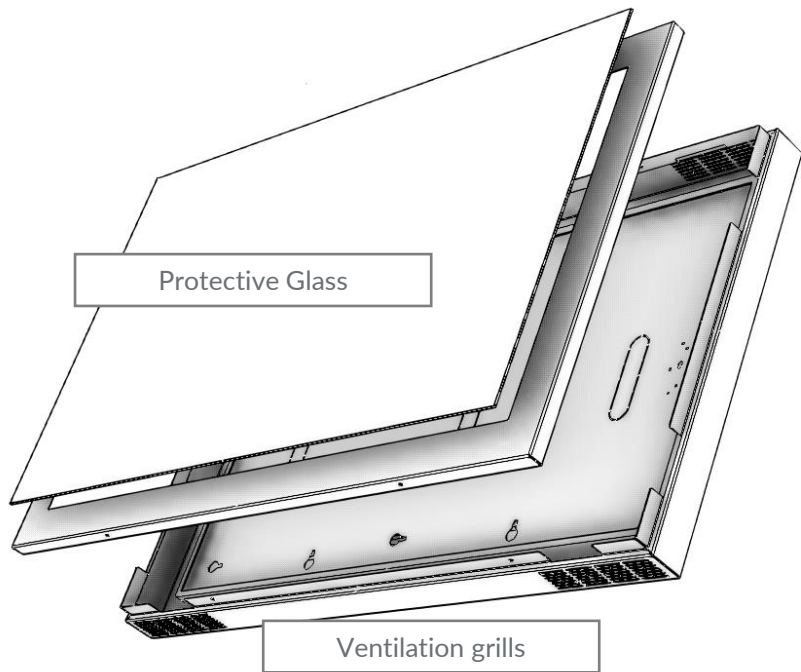
Optional tilt wall bracket
In some cases it is necessary to tilt the screen to increase visibility. THE WALL can be combined with the 15° tilted bracket

MODEL NAME

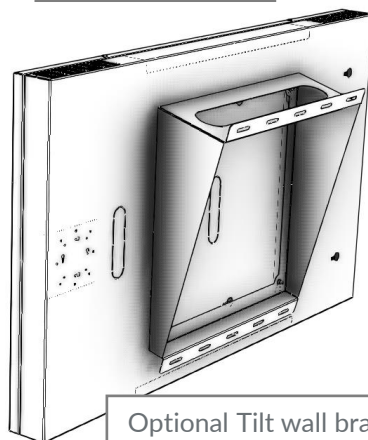
THE WALL INDOOR 32, 43, 55, 65, 75

MAIN FEATURES

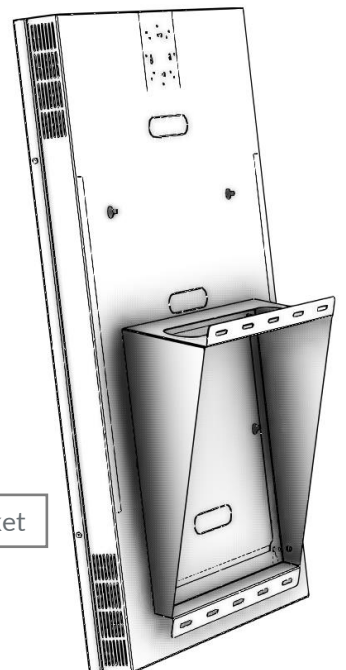
- Placement: Wall
- Screen position
 - Portrait
 - Landscape
- VESA
 - THE WALL 32, 43
 - 200, 300, 400
 - THE WALL 55, 65, 75
 - 200, 300, 400, 400X600
- Maximum screen dimension:
 - 32": 728x438x75mm
 - 43": 1000x580x75mm
 - 55": 1254x724x75mm
- Standard colour
 - Black RAL9005
 - White RAL9016
- Made in Italy



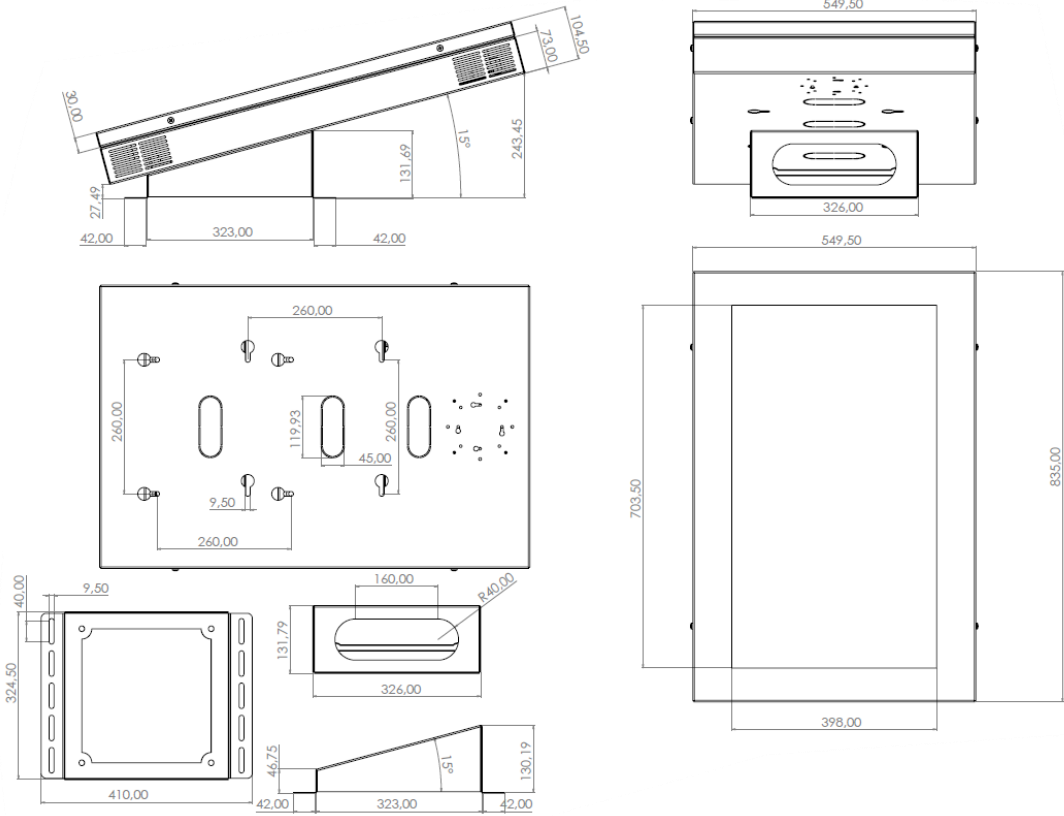
Landscape



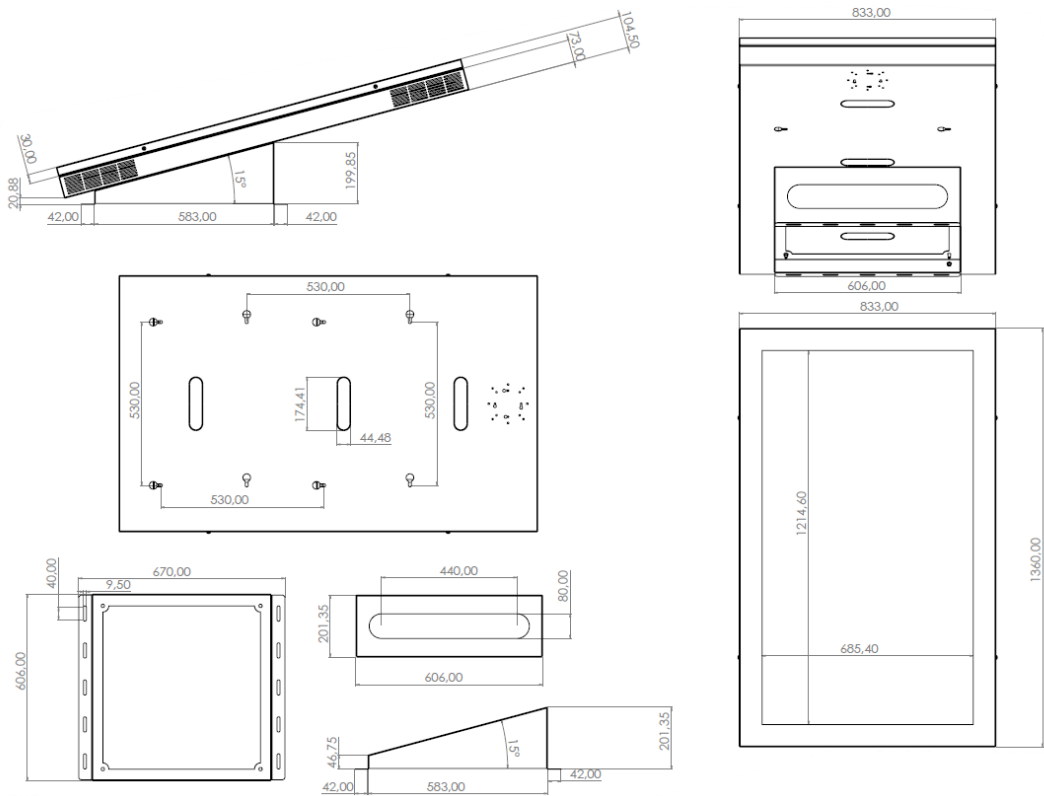
Portrait



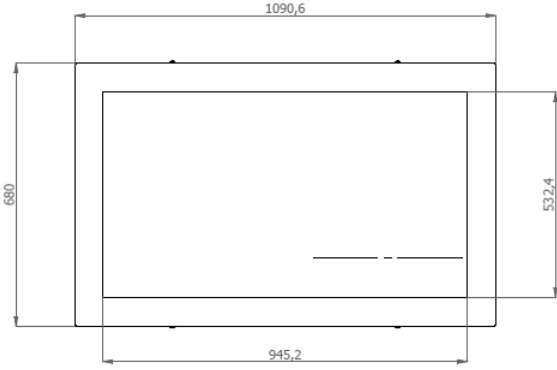
THE WALL INDOOR 32



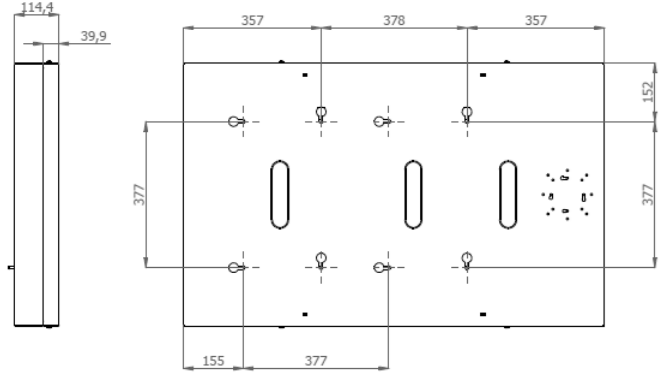
THE WALL INDOOR 55



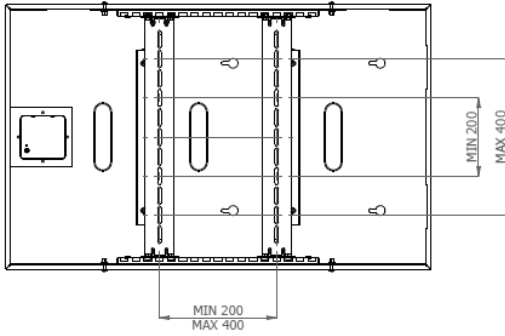
FRONT VIEW



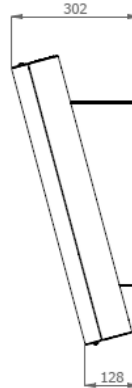
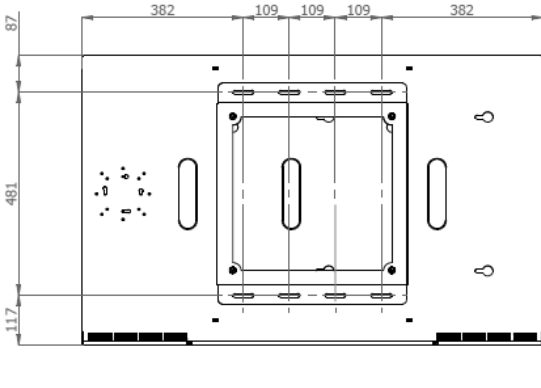
BACK VIEW



INSIDE VIEW



LANDSCAPE VIEW



PORTRATE VIEW

