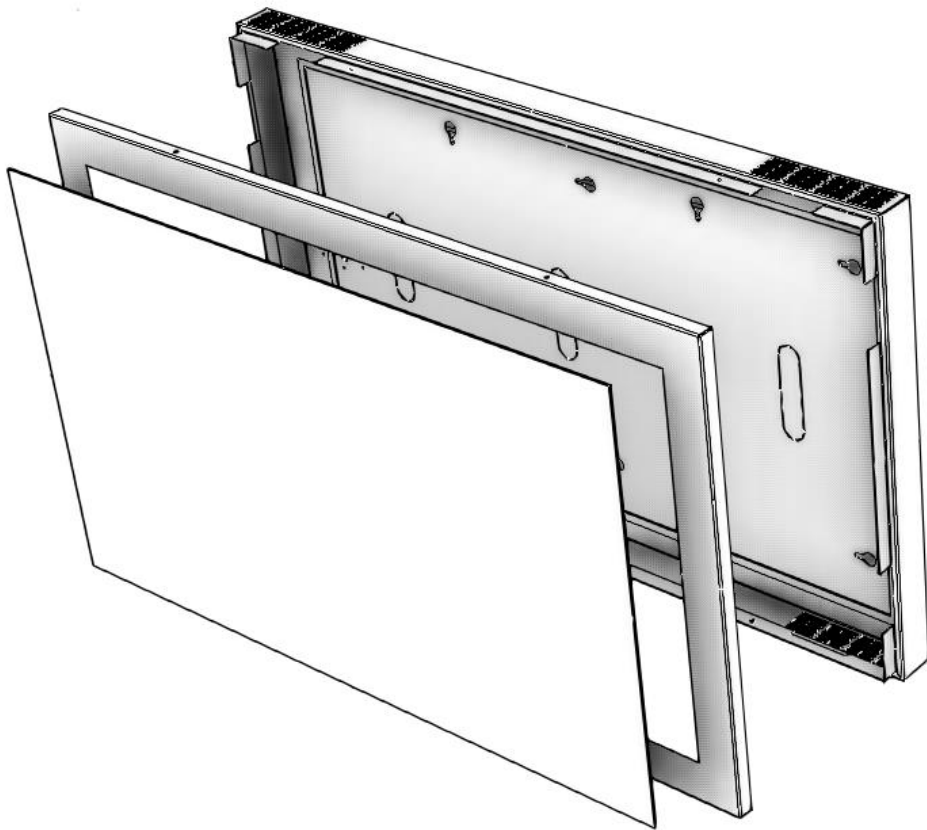


INSTALLATION INSTRUCTIONS

THE WALL INDOOR



REL 2024 - code 04856



Important safety instruction

I - AVVERTENZA

Un montaggio corretto è della massima importanza e non è responsabilità di OMB. Un montaggio erraneo può avere come conseguenza danni a persone o cose. OMB declina ogni responsabilità di qualsiasi tipo se il prodotto è stato montato in modo scorretto. Per motivi di sicurezza, la confezione non comprende alcun materiale per il montaggio in quanto la qualità e la capacità di sostenere pesi della parete/del soffitto è individuale. Il materiale per il montaggio deve essere scelto in base al materiale di cui è fatta la parete/il soffitto. Fatevi aiutare da uno specialista o da un negozio specializzato per scegliere il materiale per montaggio più adatto al vostro caso. E' responsabilità di chi effettua l'installazione assicurarsi che la parete possa sopportare come minimo quattro volte il peso combinato dello schermo e del supporto. Carico max per questo prodotto come da tabella in queste istruzioni di montaggio. Al momento del montaggio si dovranno seguire anche le istruzioni per l'installazione e l'uso dello schermo che si vuole montare/fissare.

ATTENZIONE

Attenzione contiene vetro - gestire con attenzione

GB - WARNING

A correct mounting is extremely important and this is not the responsibility of OMB. Faulty mounting may result in injury to persons or damage to equipment. OMB will not be responsible in any way if the product has been mounted incorrectly. Mounting fittings are not included with the product for reasons of safety, since the properties and bearing strength of walls/ceilings are specific for each case. Suitable mounting fittings must be selected based on the material of the wall. Obtain advice from a specialist in the field or from a specialist shop concerning the choice of mounting fittings. It is the responsibility of the installer to ensure that the wall/ceiling can support at least four times the combined weight of the screen and bracket. The maximum load for this product is given in the table in these installation instructions. The instructions for installation and use of the screen must also be followed with respect to the location and attachment of the screen

ATTENTION

Caution contains glass - handle with care

MAIN FEATURES

Placement: Wall

Screen position: Portrait / Landscape

VESA

- THE WALL 32, 43: 200, 300, 400
- THE WALL 55, 65, 75: 200, 300, 400, 400X600

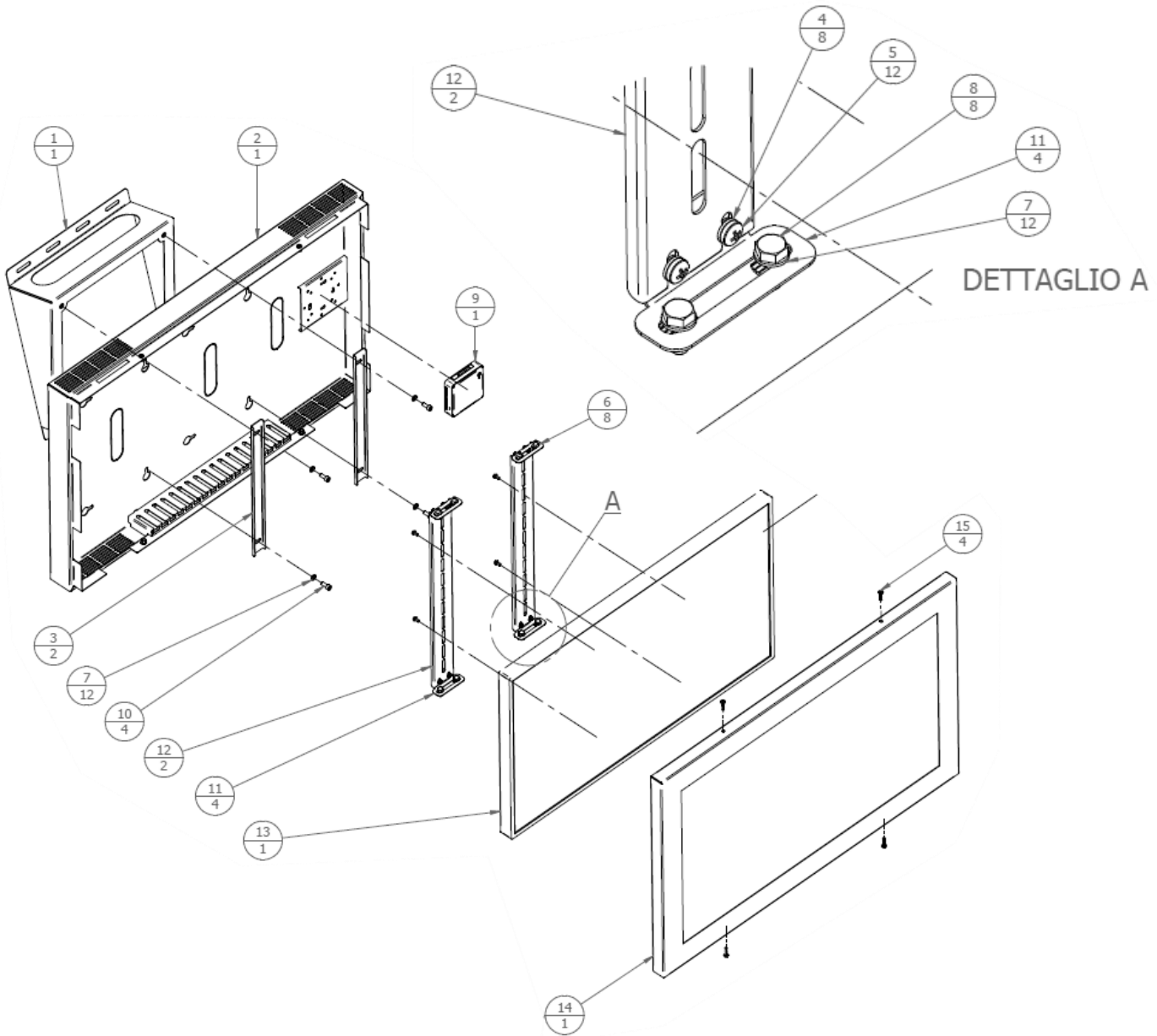
Maximum screen dimension:

- 32": 728x438x75mm
- 43": 1000x580x75mm
- 55": 1254x724x75mm

Max weight capacity: 50 Kg



ASSEMBLY PROCESS



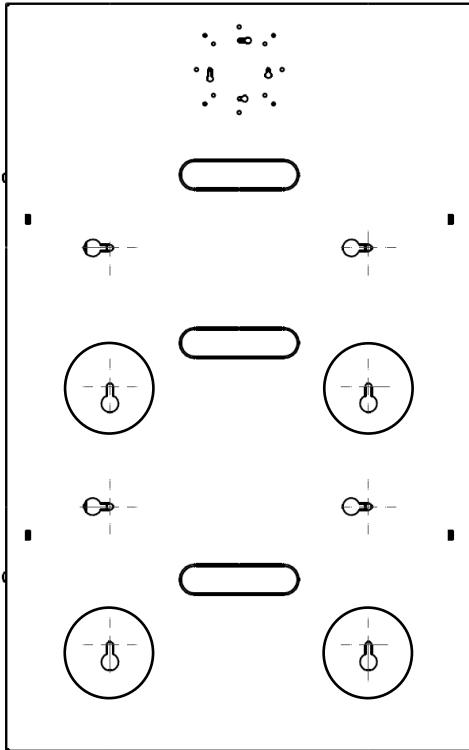
Position	Description	q.ty	NOTE
1 1	WALL BRACKET TILT 15°	1	Optional solution
2 1	BACK COVER	1	
3 2	REINFORCEMENT FOR TILT BRACKET	2	Optional solution
4 8	WASHER D6	8	
5 12	SCREW M6x12	12	
6 8	NUT	8	
7 12	WASHER M8	12	
8 8	SCREW M8x20	8	
9 1	MINI PC	1	Not provided
10 4	SCREW M8x20	4	Not provided
11 4	BRACKET FOR VESA BARS	4	
12 2	VESA BAR	2	
13 1	SCREEN	1	Not provided
14 1	FRONT COVER WITH GLASS	1	
15 4	SCREW M6x25	4	



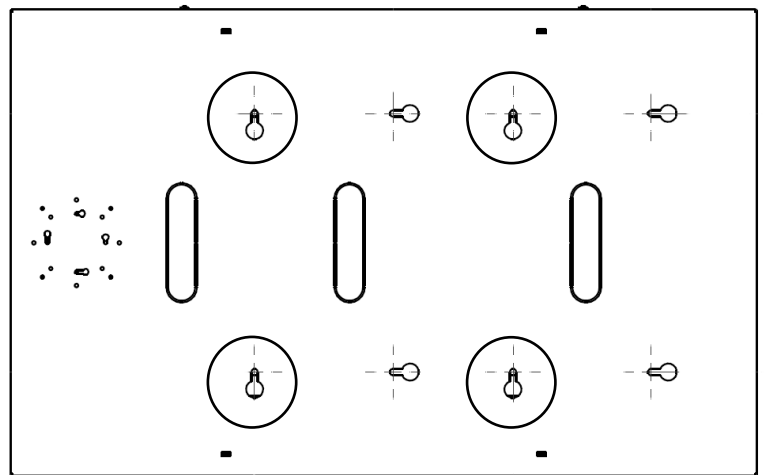
ASSEMBLY PROCESS

1st STEP

The back cover must be fixed directly to the wall using the keyhole holes.
The screws for wall fixing are not included in the supply. We recommend consulting a professional installer in order to identify the best fixing system based on the type of wall.
The cables enter from the back through the holes provided.

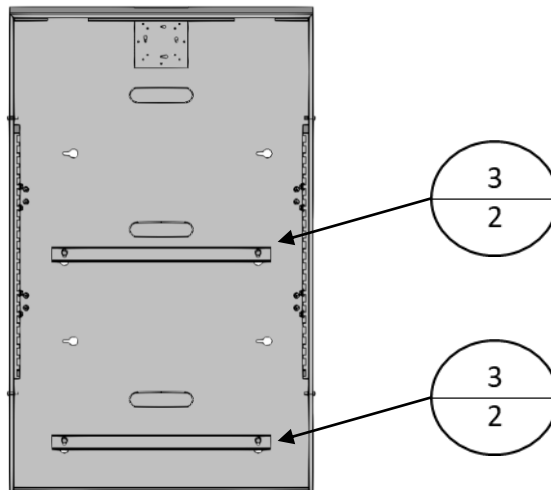


Screen in PORTRAIT mode



Screen in LANDSCAPE mode

When fixing the back cover to wall, insert the two internal reinforcing bars as shown in the image below



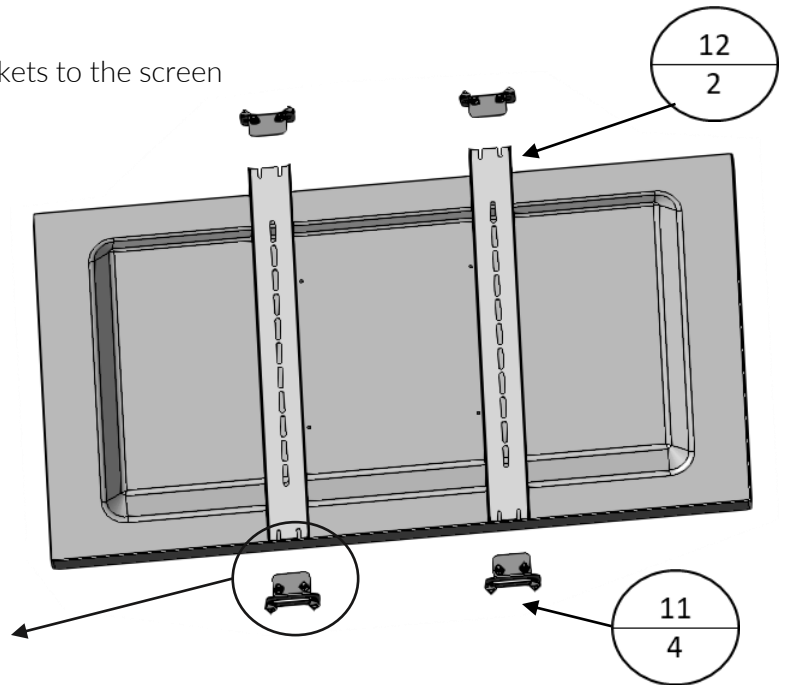
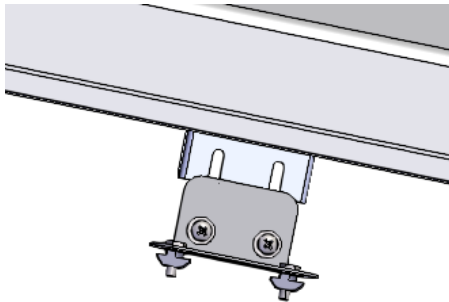


ASSEMBLY PROCESS

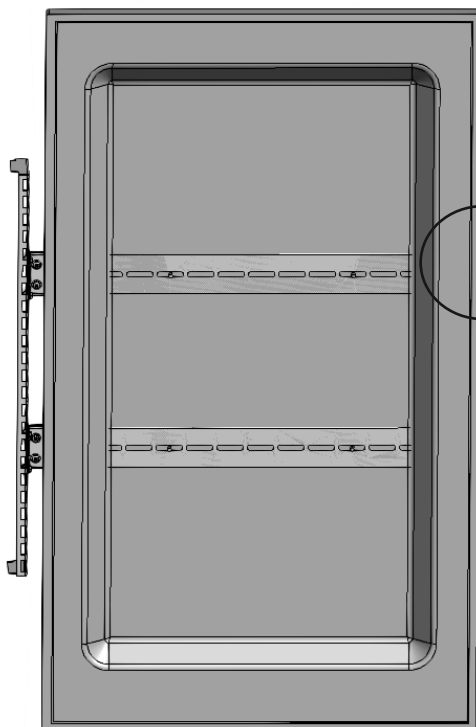
2nd STEP

Attach the VESA bars with relative brackets to the screen

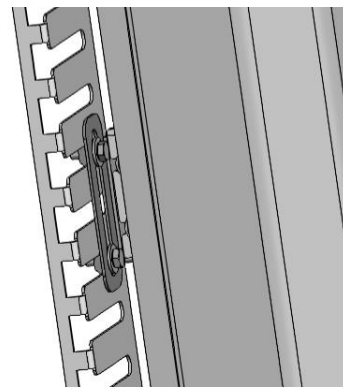
You can adjust screen position based on screen dimension



Now you can position the screen by inserting it into the two side slides



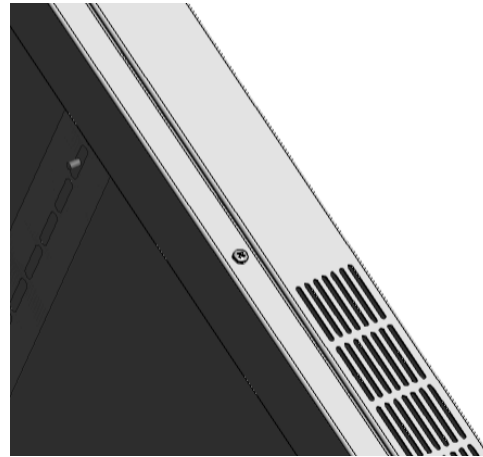
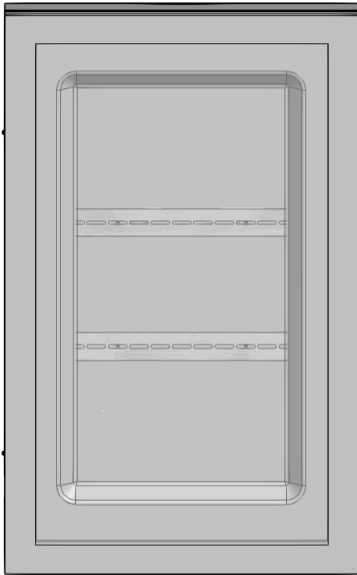
you can adjust the depth according to the depth of the screen





3rd STEP

After mounting and positioning the screen, you can secure the cover with the 4 screws



SPACE FOR PLAYER

Compatibly with the size of the screen, it is possible to fix a player to the specific metal plate with VESA 100x100

