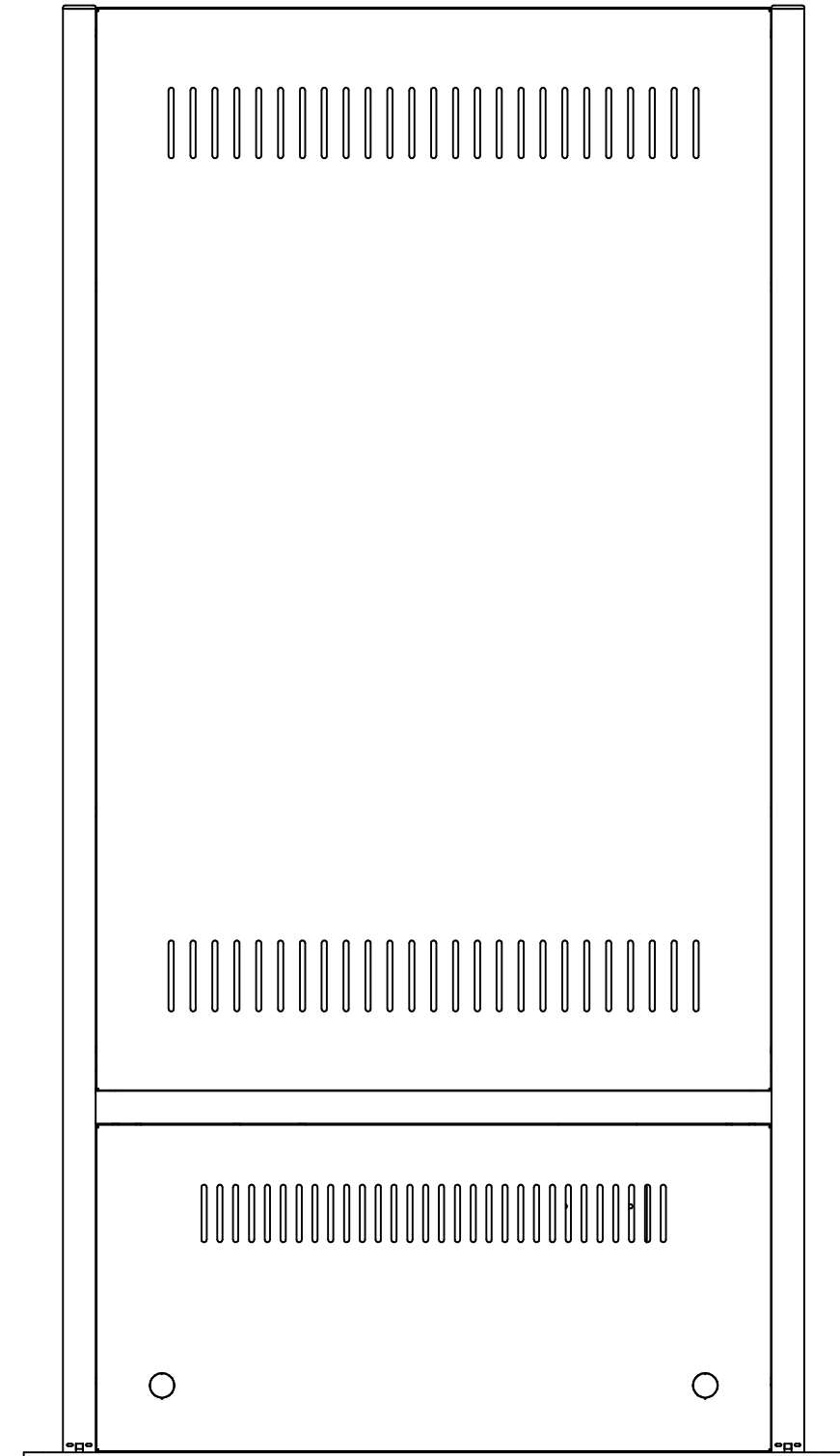
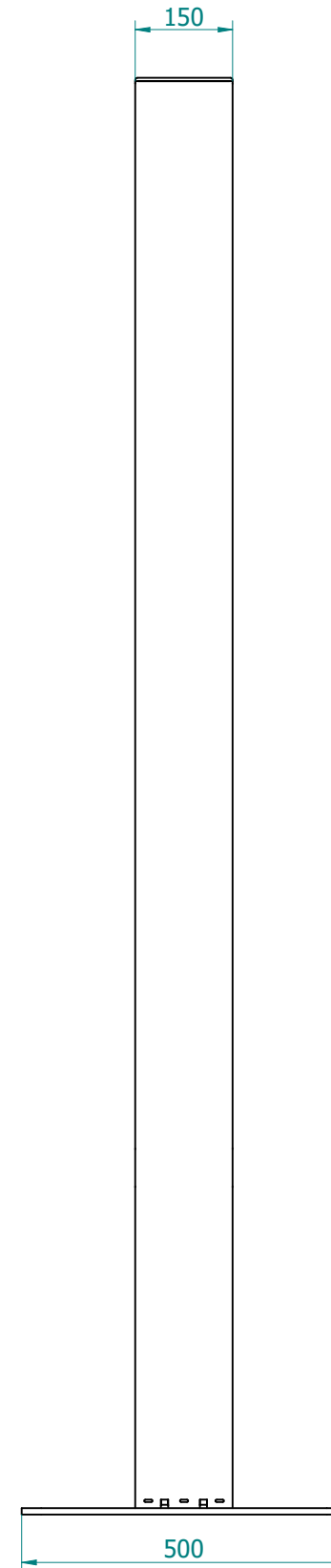
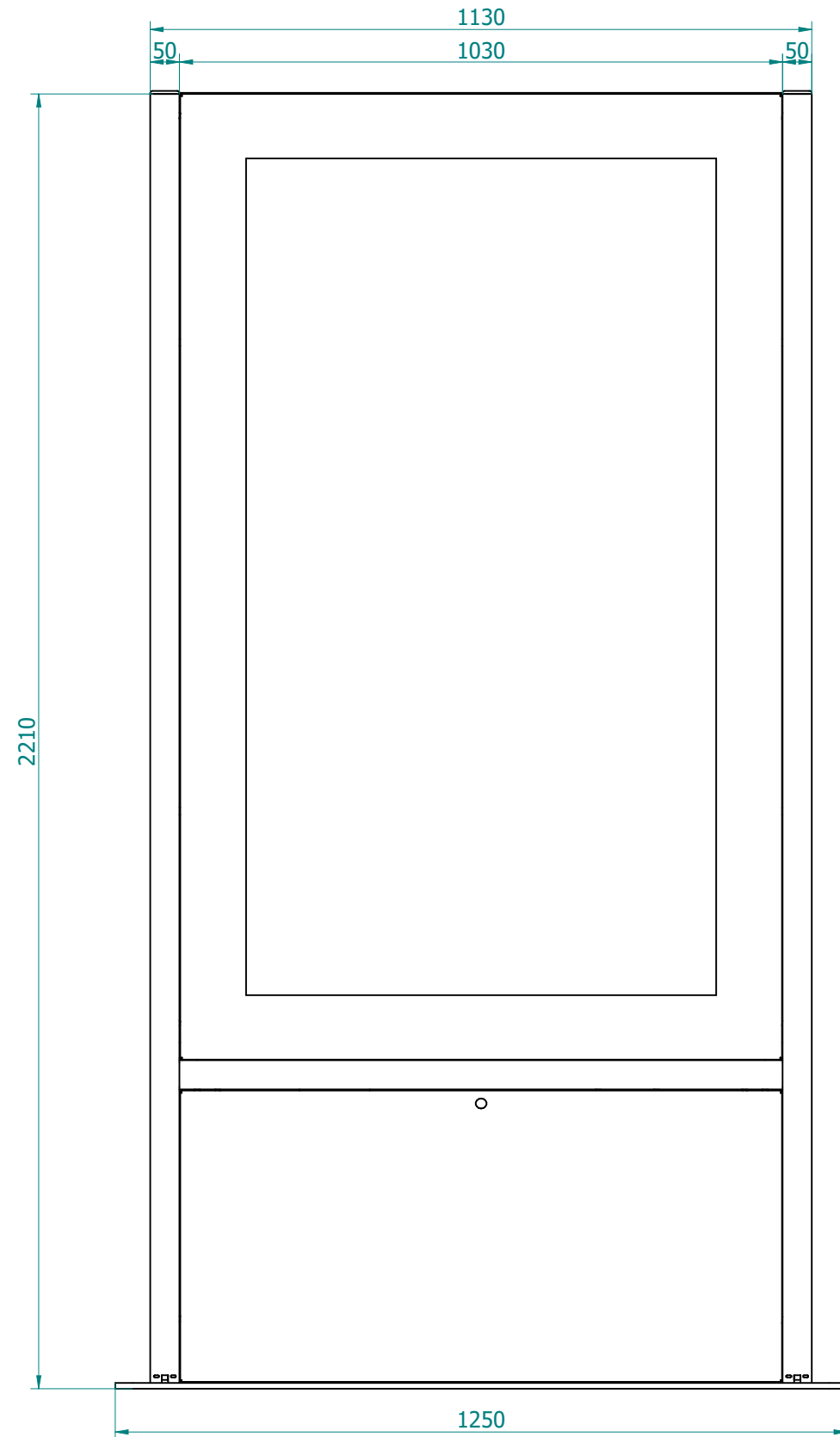
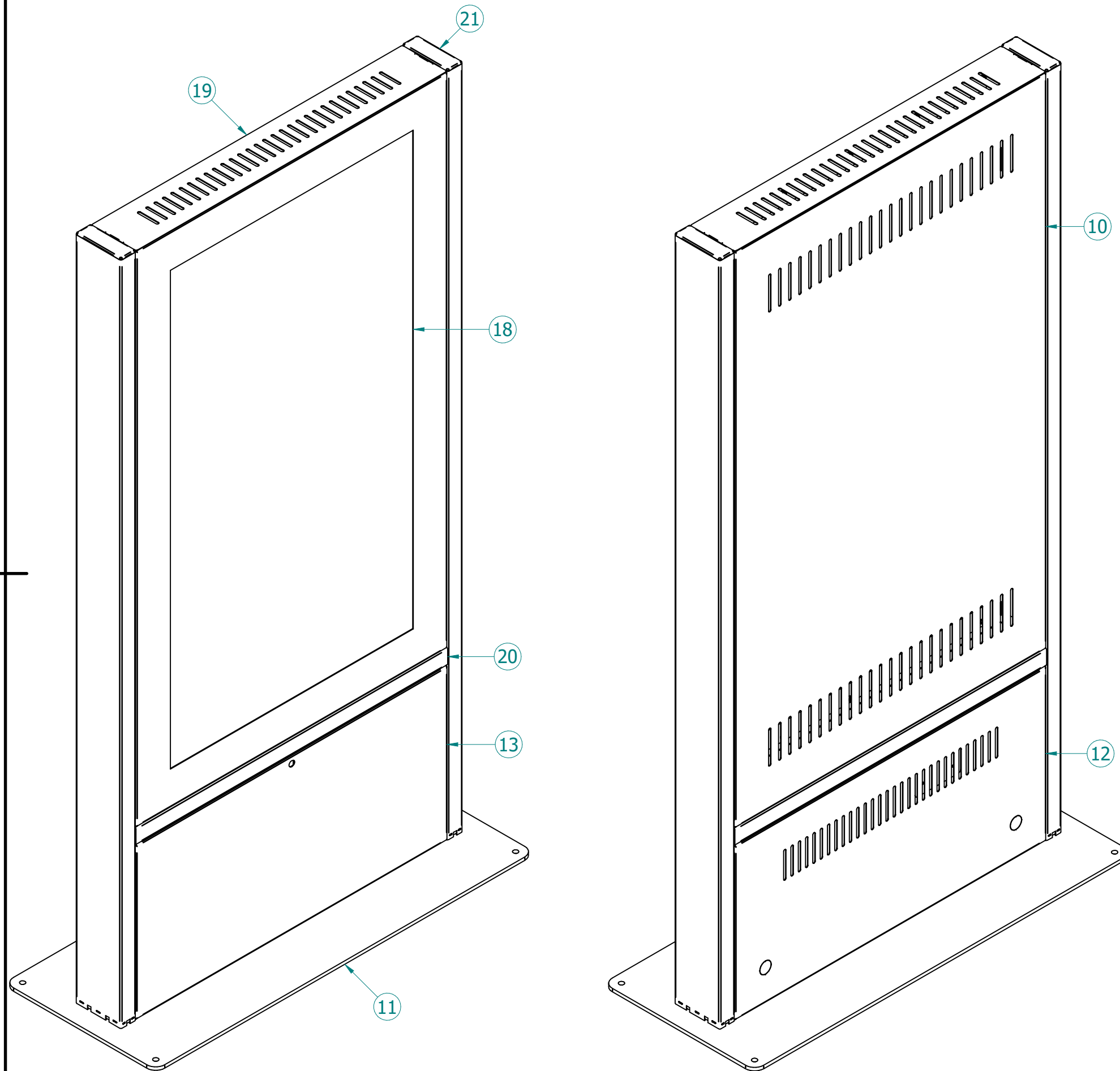


Rev.	Date of issue	Description	Sign
0001	16/01/2023	First edition	T.M.



Chamfers not indicated 0,5x45°	Roughness	General tolerances For linear dimensions: ±0.1 mm For angular dimensions: ISO 2768-m	Weight [kg] 169.83 kg	Scale 1/1	
		Created by Trabucco Marco	Date of issue 16/01/2023		
		Title/Supplementary title Totem per Monitor 65"			
Code name/File name Totem_65 pollici					Sheet 1\4 Paper size A3

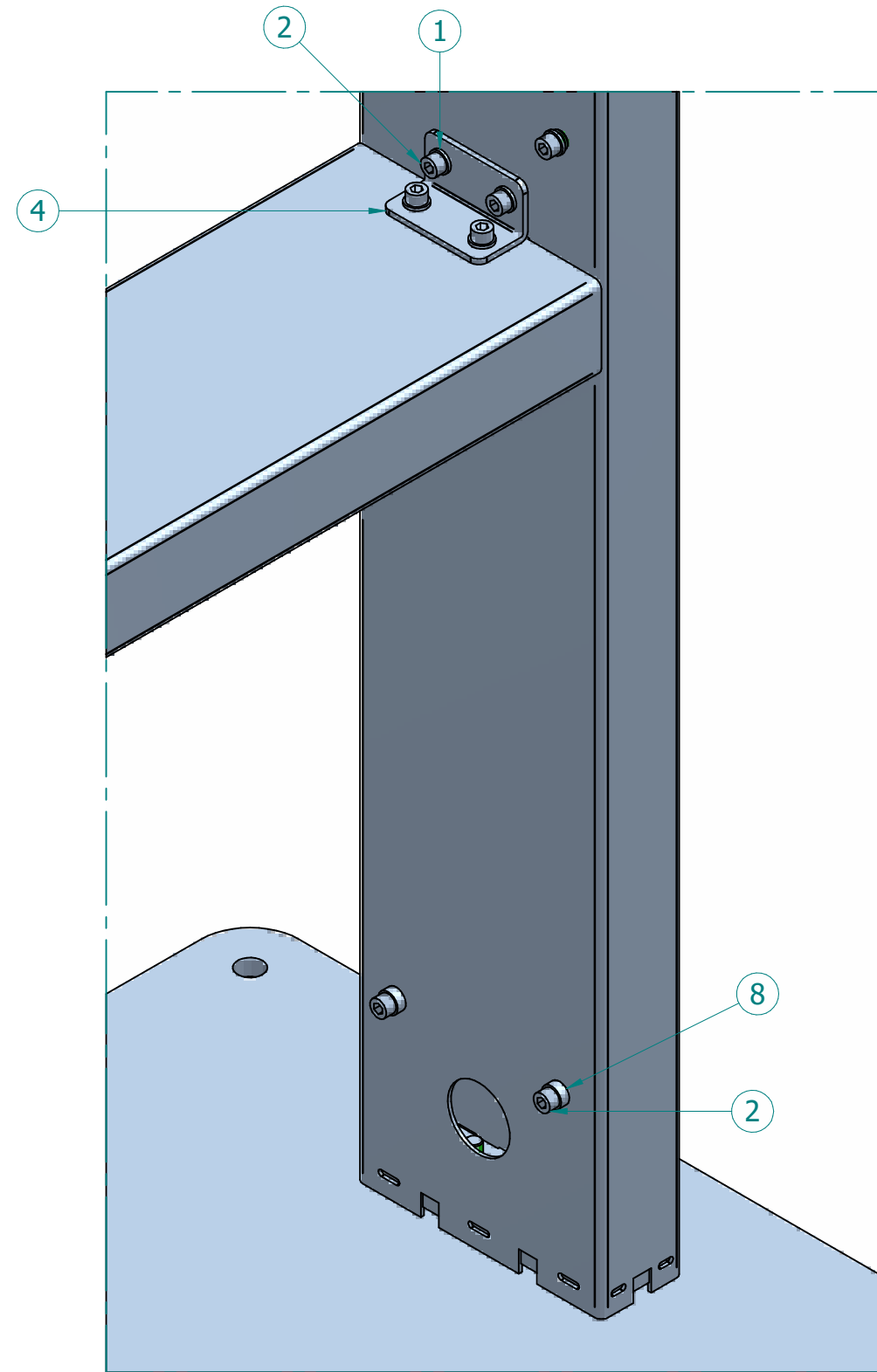
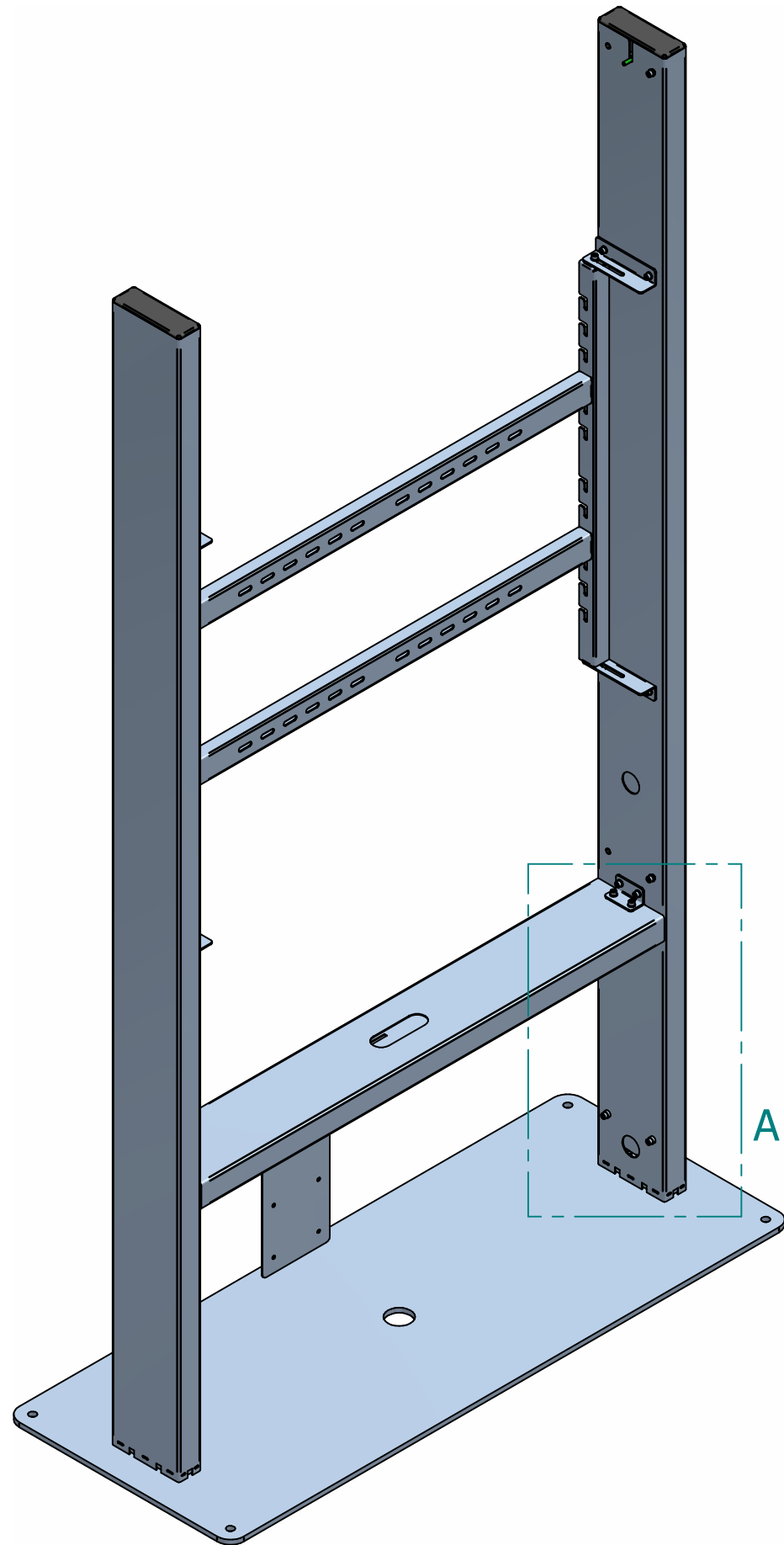
Rev.	Date of issue	Description	Sign
0001	16/01/2023	First edition	T.M.



Ref	Code	Commenti	Materiale	Q.ty
21	Tappo_Rettangolare 150x50		PVC	2
20	T65-A007	Supporto orizzontale		1
19	T65-A006	Coperchio superiore		1
18	T65-A005	Pannello completo x monitor 65"		1
17	T65-A004	Attacco Monitor		2
16	T65-A003	Piastra regolabile		1
15	T65-A002	Piastra regolabile		1
14*	T65-A001	Assieme Gamba		2
13	T65-019	Pannello inferiore Front	Steel S235JR	1
12	T65-018	Pannello inferiore Back	Steel S235JR	1
11	T65-017	Base a terra	Steel S235JR	1
10	T65-015	Pannello Posteriore	Steel S235JR	1
9	T55-A008	Piastra per Vesa 100x100		1
8	T55-022	Distanziale Sp.5 mm	Steel S235JR	12
7	T55-020	Piastra ad L per vesa	Steel S235JR	1
6	T55-006	Piastra con asola per regolazione	Steel S235JR	2
5	T55-005	Piastra con asola per regolazione	Steel S235JR	2
4	T55-004	Piastra unione gambe supporto orizzontale	Steel S235JR	2
3*	03897_M8x30	TSPEI M8x30 Zin UNI 5933	Steel 10.9	8
2	03033_M6x20_TCEI	Vite TCEI M 6 x 20 UNI 5931	Steel 8.8	44
1	00920_Rondella M6	Rondella d6-D11 Art.364	Steel 140 HV	36

Chamfers not indicated 0,5x45°	Roughness	General tolerances For linear dimensions: ±0.1 mm For angular dimensions: ISO 2768-m	Weight [kg] 169.83 kg	Scale 1/1	
Created by Trabucco Marco		Date of issue 16/01/2023			
Title/Supplementary title Totem per Monitor 65"					
Code name/File name Totem_65 pollici					Sheet 2\4 Paper size A3

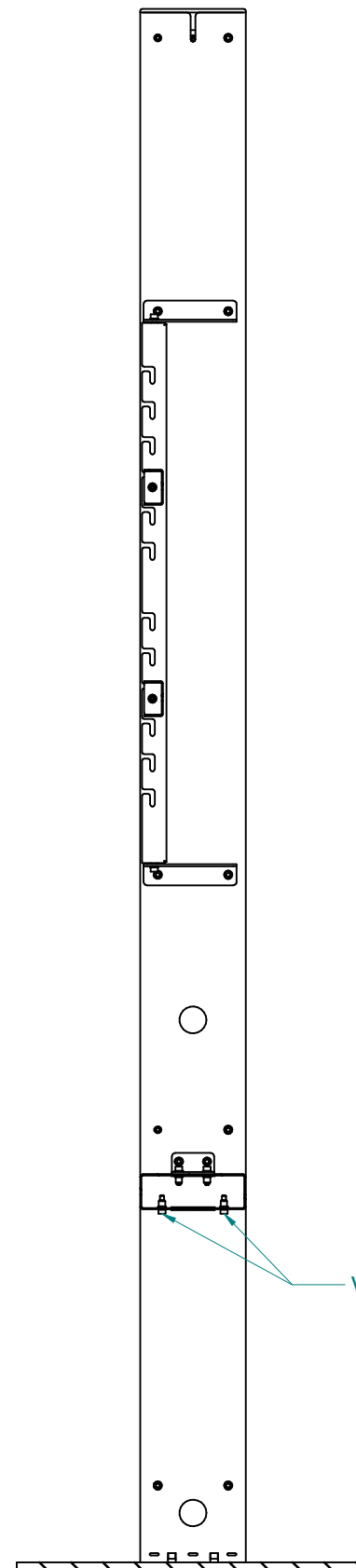
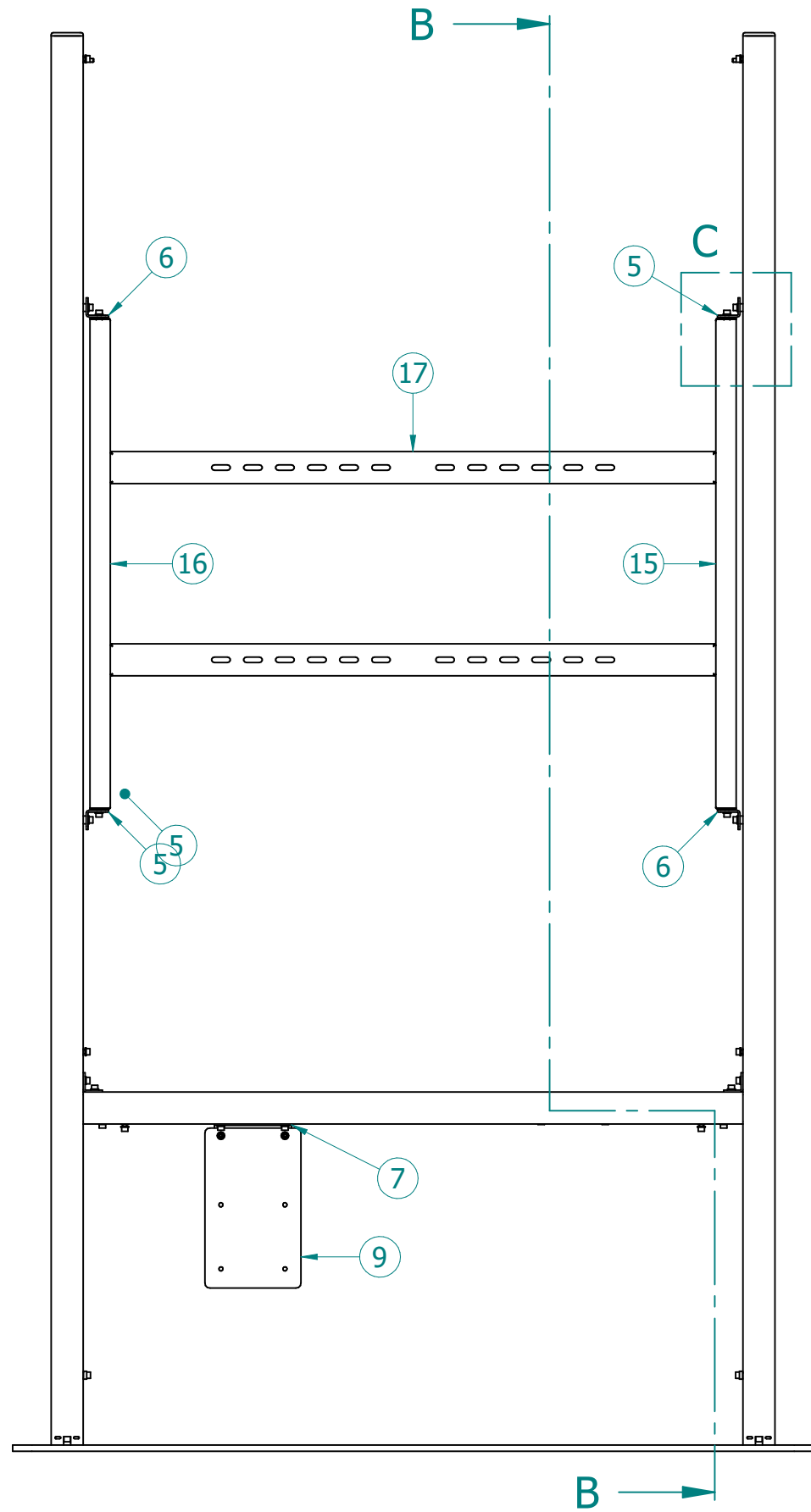
Rev.	Date of issue	Description	Sign
0001	16/01/2023	First edition	T.M.



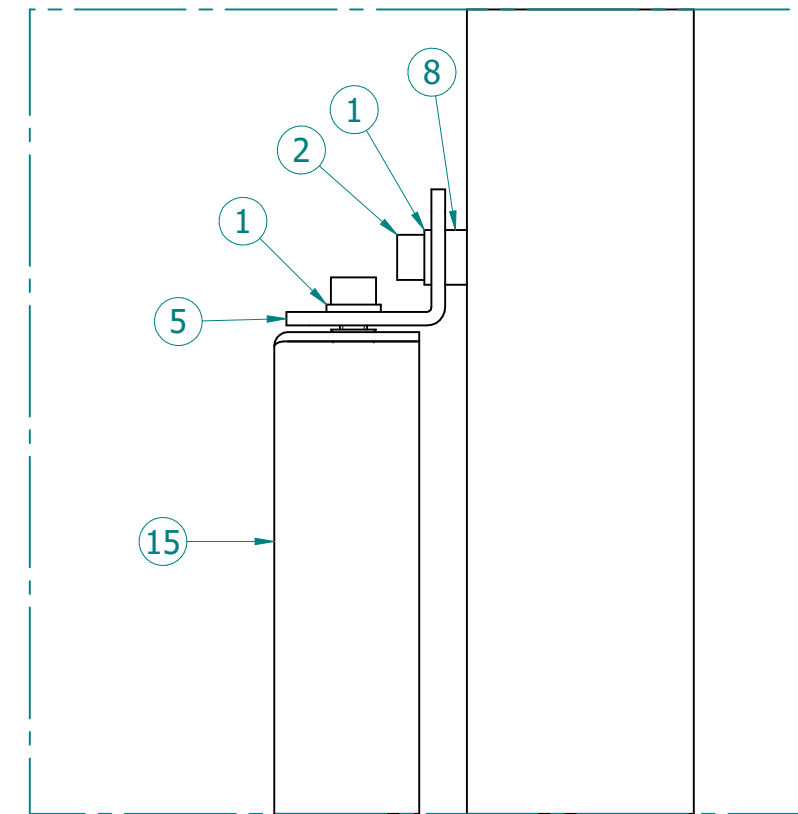
DETTAGLIO A

Chamfers not indicated 0,5x45°	Roughness	General tolerances For linear dimensions: ±0.1 mm For angular dimensions: ISO 2768-m	Weight [kg] 169.83 kg	Scale 1/1	
		Created by Trabucco Marco	Date of issue 16/01/2023		
		Title/Supplementary title Totem per Monitor 65"			
Code name/File name Totem_65 pollici					Sheet 3\4 Paper size A3

Rev.	Date of issue	Description	Sign
0001	16/01/2023	First edition	T.M.



SEZIONE B-B



DETTAGLIO C

Vite M6 per battuta lamiera

Chamfers not indicated 0,5x45°	Roughness	General tolerances For linear dimensions: ±0.1 mm For angular dimensions: ISO 2768-m	Weight [kg] 169.83 kg	Scale 1/1	
		Created by Trabucco Marco	Date of issue 16/01/2023		
Code name/File name Totem_65 pollici		Title/Supplementary title Totem per Monitor 65"		Sheet 4\4	Paper size A3