

FLOOR TO CEILING SOLUTION

Col. ●

MIN VESA 200x200 MAX VESA 600x400



109-  
228CM  
43-90"

80KG  
176LBS

# Floor to Ceiling Solution

Floor to Ceiling Mounts



La soluzione è costituita da un palo con altezza massima di 5,90 metri da fissare a terra e soffitto, più un supporto per monitor di diverse dimensioni (da 43" a 90") con coperchio posteriore a puro scopo estetico. Il monitor può essere ruotato e posizionato all'altezza desiderata. È disponibile la versione in Landscape o Portrait.



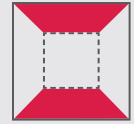
The solution is the combination of a pole with a maximum height of 5.90 meters to be fixed to the ground and ceiling, plus a support for monitor of different sizes (from 43 "to 90") with back cover. The monitor can be rotated and positioned at the desired height. The version in Landscape or Portrait is available.

CODOCI ORDINE - ORDER CODE

MODEL	BLACK	PRODUCT CODE
POLE 5900 MM	x	09219
SCREEN SUPPORT LANDSCAPE 43	x	09220
SCREEN SUPPORT PORTRAIT 43	x	09221
SCREEN SUPPORT LANDSCAPE 49/50	x	09222
SCREEN SUPPORT PORTRAIT 49/50	x	09223
SCREEN SUPPORT LANDSCAPE 55	x	09224
SCREEN SUPPORT PORTRAIT 55	x	09225
SCREEN SUPPORT LANDSCAPE 65	x	09226
SCREEN SUPPORT PORTRAIT 65	x	09227
SCREEN SUPPORT LANDSCAPE 75	x	09228
SCREEN SUPPORT PORTRAIT 75	x	09229

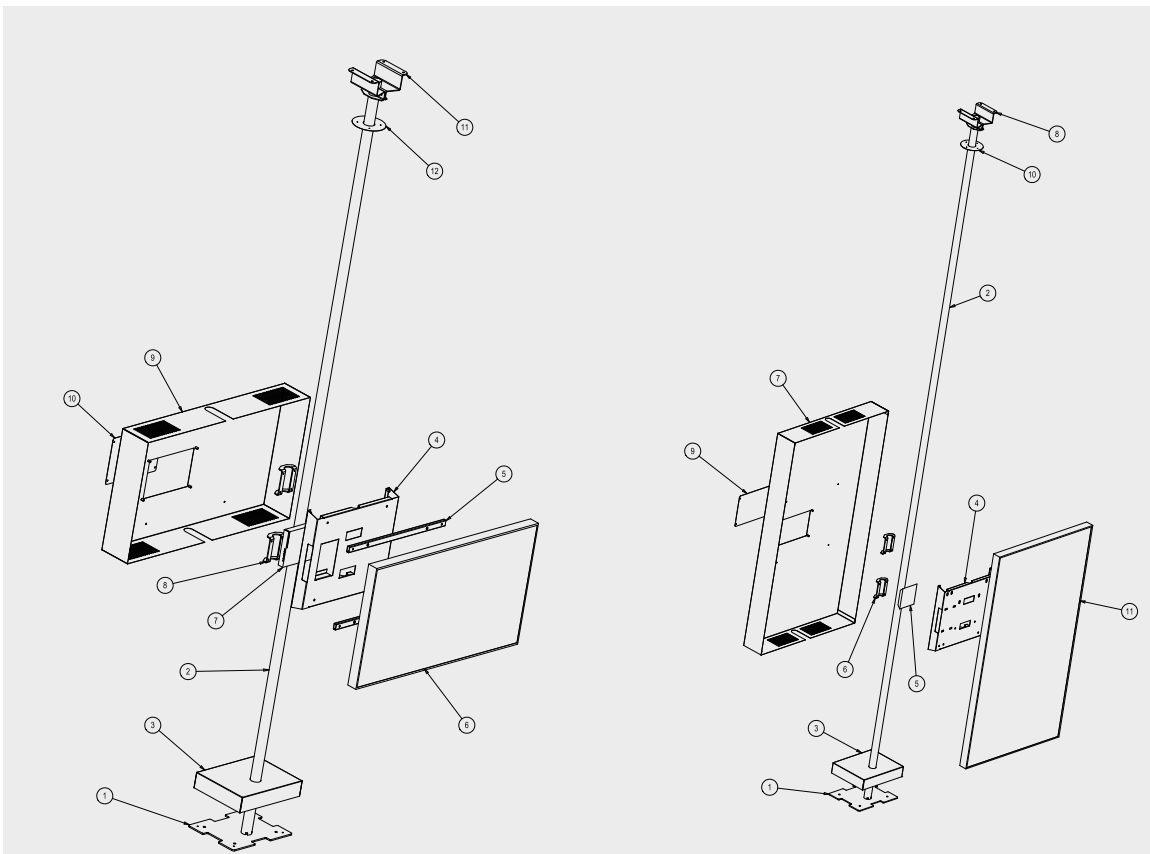
Targeted to Professionals

CEILING / FLOOR



Floor to Ceiling Mounts

FLOOR TO  
CEILING MOUNTS



SCREEN ORIENTATION

PORTRAIT

LANDSCAPE

POSSIBLE SCREEN DIMENSION

43 - 50 - 55 - 65 - 75

PRODUCT COMPONENTS

- 1 FLOORPLATE
- 2 POLE5500MM
- 3 FLOORPLATE COVER
- 4 SCREEN VESA SUPPORT
- 5 ADAPTER VESA
- 6 SCREEN
- 7 PLAYER
- 8 FIXING SYSTEM
- 9 SCREEN BACK COVER
- 10 CEILING FIXING SYSTEM
- 11 INSPECTION COVER
- 12 COUNTERTOP DESK