

LUNAR 3
Col. ● Code 06108

VESA 100x100 / 200x100 / 200x200



25-
100CM
10-40°



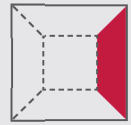
30KG
66LBS



55MM



WALL



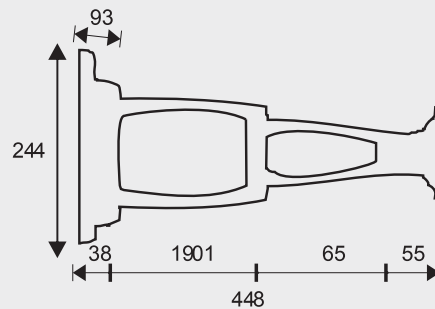
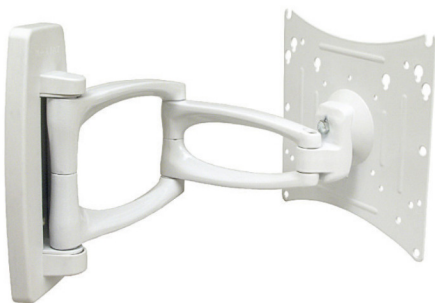
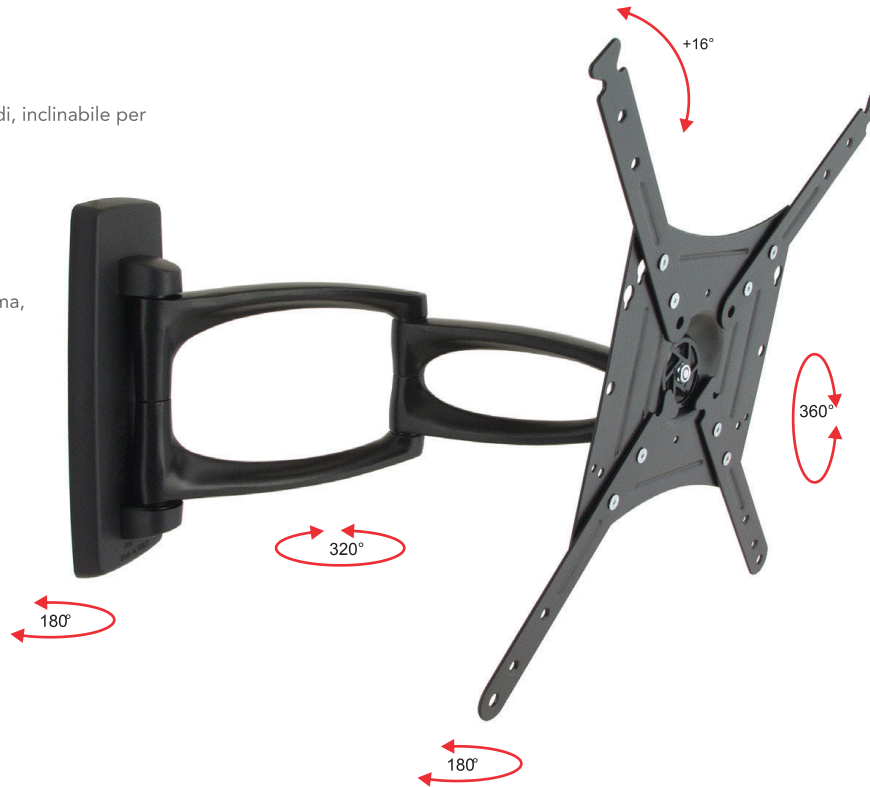
Lunar 3



Supporto murale a tre snodi, inclinabile per plasma, lcd e led tv.



Inclinable wall bracket with three articulations for plasma, lcd and led tv.



● Code 04001 VESA 400x400 MAX TV. 42"

Wall Mounts Solutions

WALL MOUNTS
SOLUTIONS