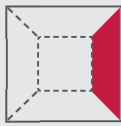


TRISOLUTION
Col. ● Code 36072
VESA 50x50 / 75x75 / 100x100 / 200x100



25-81CM 20KG 80MM
10-32" 44LBS

WALL

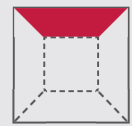


OYSTER
Col. ● Code 26075
VESA 50x50 / 75x75 / 100x100



25-51CM 5KG 10-20"
10-20" 11LBS

CEILING



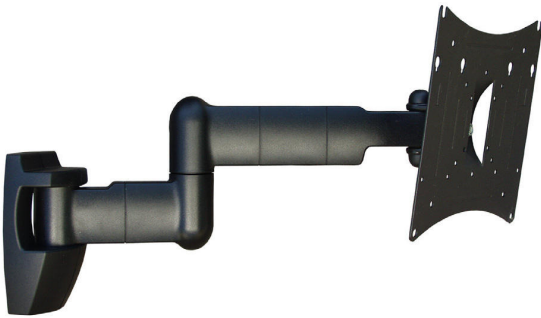
Trisolution Registered Design



Supporto murale con copertura in plastica dei cavi a tre snodi, inclinabile per tv.



Wall support with plastic cover of the cables with three joints, tilting for screen.



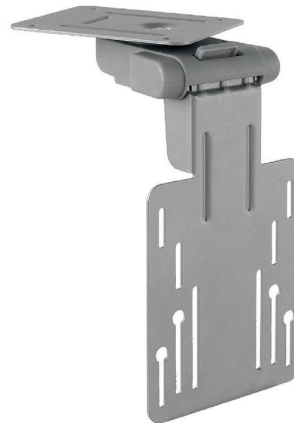
Oyster Registered Design



Supporto "sotto pensile" richiudibile a uno snodo, inclinabile per tv.

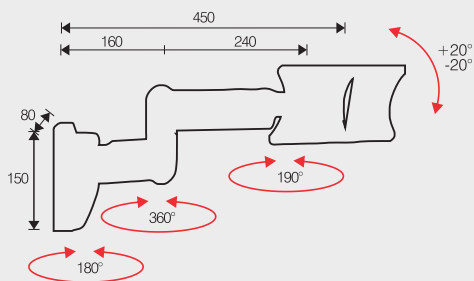


Under cabinet" foldable support with one articulation for tv.

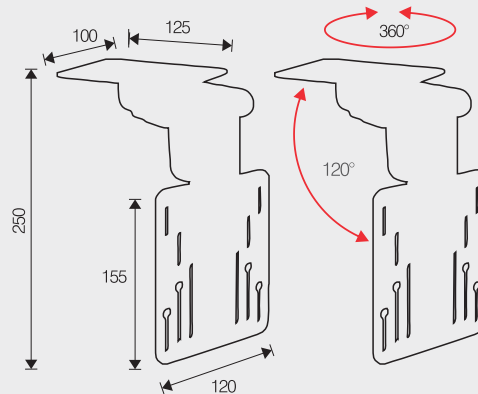


Wall Mounts Solutions

WALL MOUNTS SOLUTIONS



● Code 06102
VESA 50/75/100/200x100
MAX TV. 40"



ADATTATORI TV DISPONIBILI SU RICHIESTA
TV ADAPTERS AVAILABLE ON REQUEST