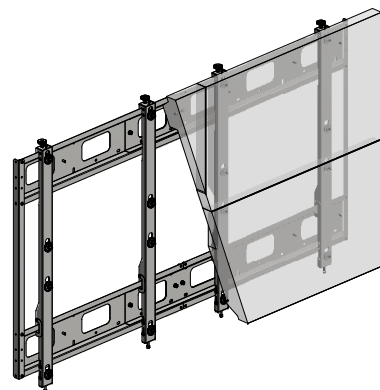
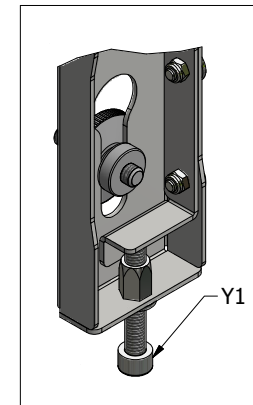
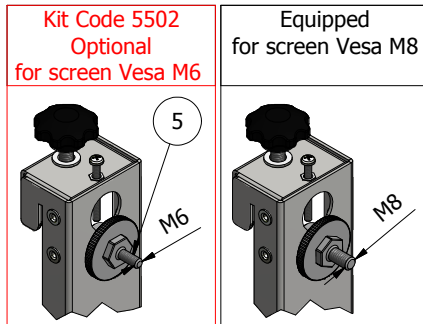


Adjustments



Quick mounting

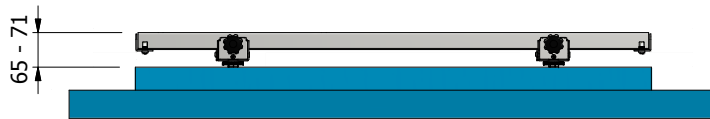
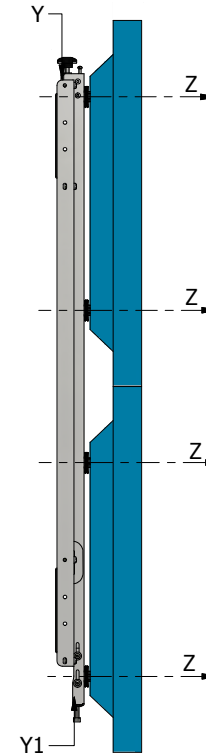
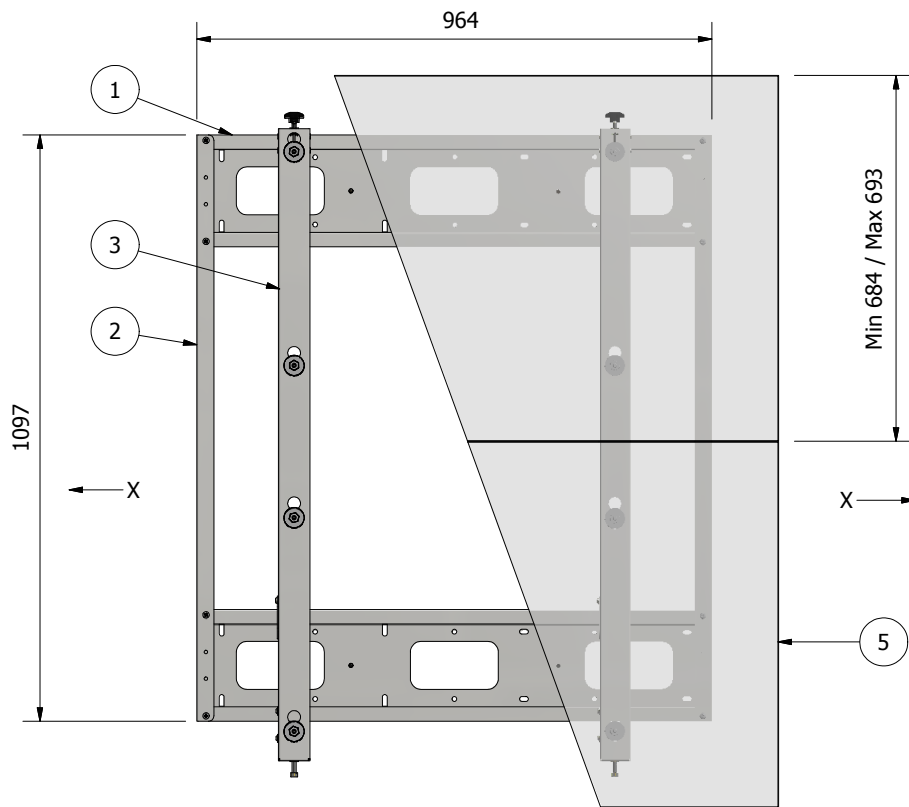


Kit Code 5502
Optional
for screen Vesa M6

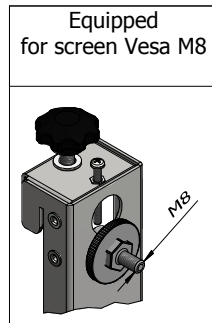
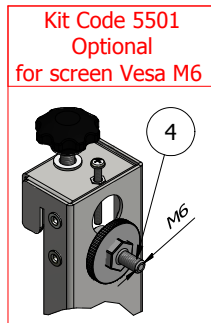
Equipped
for screen Vesa M8

- Screen Array Configuration : 2x2
- Orientation : Landscape
- Adjustments (Y) : Micro-Adjustments 10mm.
- Adjustments (Y1) : Micro-Adjustments 15mm.
- Adjustments (X) : Adjustments +/- 110mm.
- Adjustments (Z) : Adjustments +/- 7mm.
- Mounting Pattern : Vesa 400x400mm./600x400mm.
- Typical Screen Sizes : 46" / 47"
- Weight Capacity : 30 Kg to Screen
- Galvanized steel shets

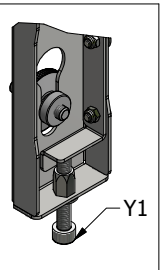
POS.	QTY	DESCRIPTION
1	4	OMEGA L=956
2	2	OMEGA JUNCTION
3	2	VERTICAL ANGULAR
4	4	SCREEN BRACKET
5	1	VESA KIT M6 PINS (OPTIONAL)
6	4	SCREEN 46" / 47" VESA 400x400 M8 / 600x400 M8
7		
8		



Quick mounting

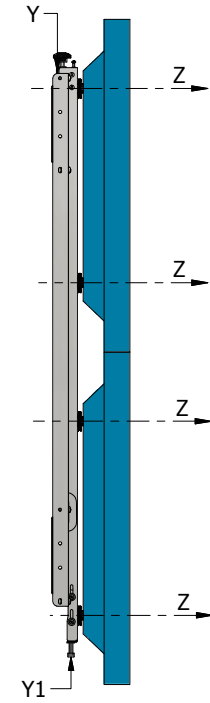
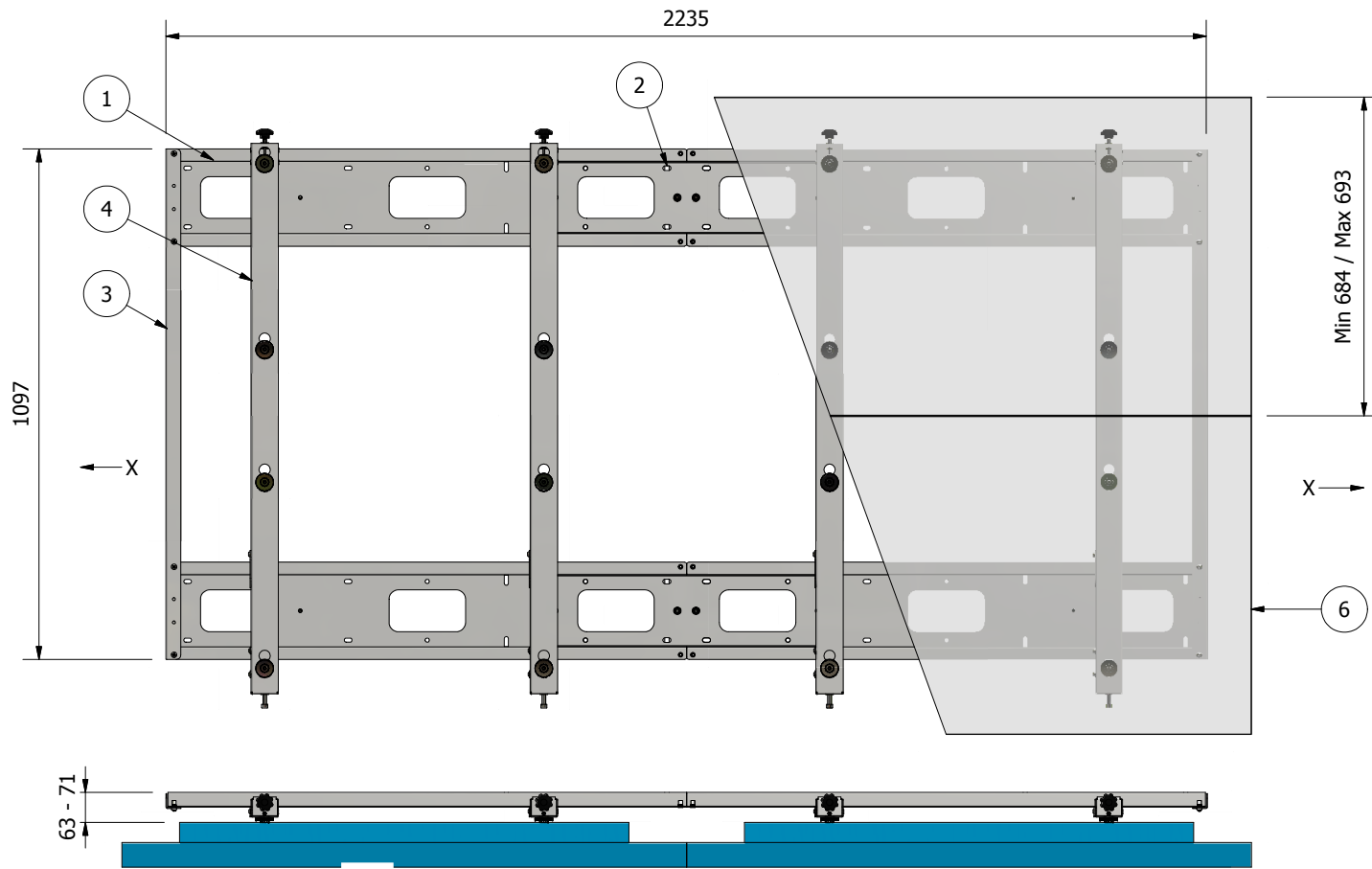


Adjustments

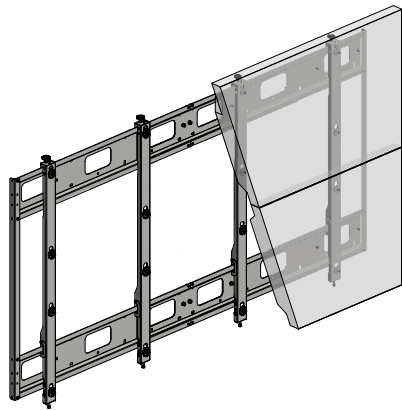
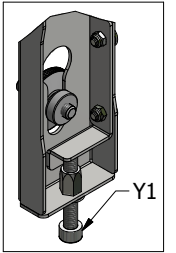


- Screen Array Configuration : 1x2
- Orientation : Landscape
- Adjustments (Y) : Micro-Adjustments 10mm.
- Adjustments (Y1) : Micro-Adjustments 15mm.
- Adjustments (X) : Adjustments +/- 132mm.
- Adjustments (Z) : Adjustments +/- 7mm.
- Mounting Pattern : Vesa 400x400mm./600x400mm.
- Typical Screen Sizes : 55"
- Weight Capacity : 30 Kg to Screen
- Galvanized steel shets

POS.	QTY	DESCRIPTION
1	2	OMEGA L=956
2	2	VERTICAL ANGULAR
3	2	LCD BRACKET
4	1	VESA KIT M6 PINS (OPTIONAL)
5	2	SCREEN 55" VESA 400x400 / 600x400
6		
7		
8		



Adjustments

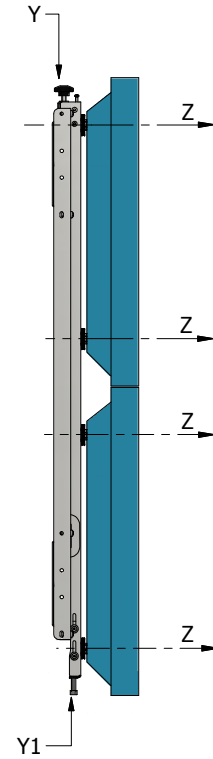
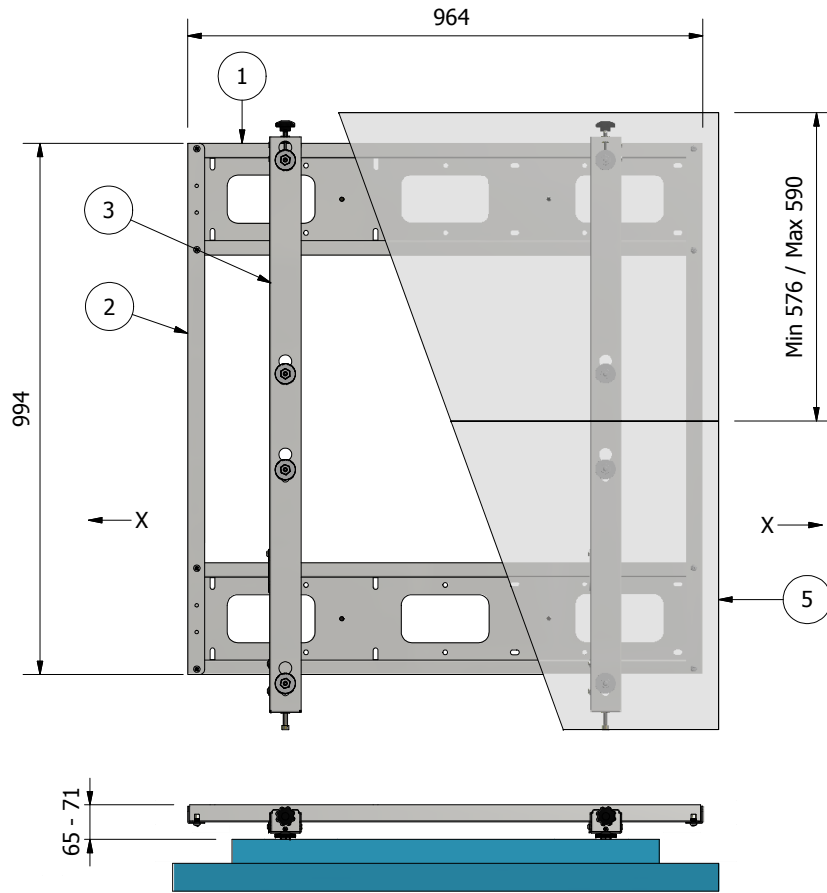


Quick mounting

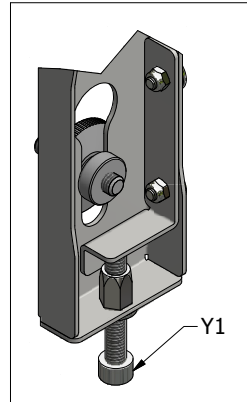
<p>Kit Code 5502 Optional for screen Vesa M6</p>	<p>Equipped for screen Vesa M8</p>
---	--

- Screen Array Configuration : 2x2
- Orientation :..... Landscape
- Adjustments (Y) :..... Micro-Adjustments 10mm.
- Adjustments (Y1) :..... Micro-Adjustments 15mm.
- Adjustments (X) :..... Adjustments +/- 150mm.
- Adjustments (Z) :..... Adjustments +/- 7mm.
- Mounting Patten :..... Vesa 400x400mm./600x400mm.
- Typical Screen Sizes :..... 55"
- Weight Capacity :..... 30 Kg to Screen
- Galvanized steel shets

POS.	QTY	DESCRIPTION
1	4	OMEGA L=1115
2	2	OMEGA JUNCTION
3	2	VERTICAL ANGULAR
4	4	LCD BRACKET
5	1	VESA KIT M6 PINS
6	4	SCREEN 55" VESA 400x400 / 600x400
7		
8		

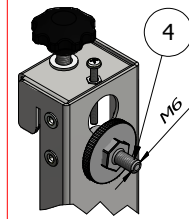


Adjustments

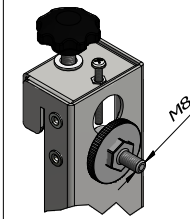


Quick mounting

Kit Code 5501
Optional
for screen Vesa M6

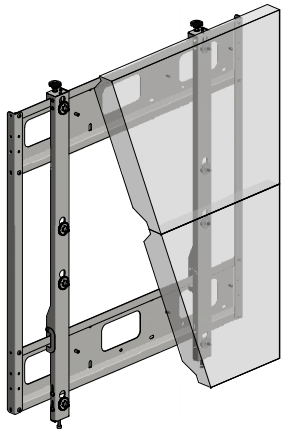


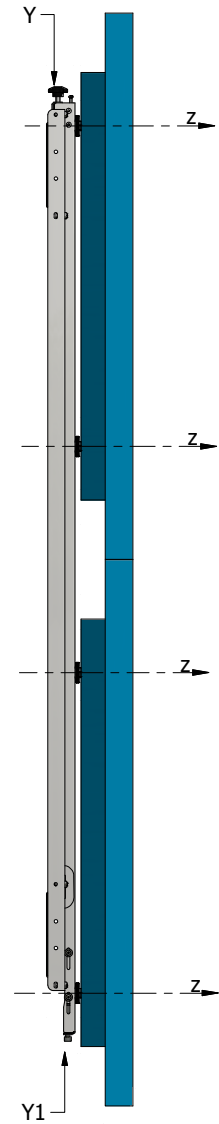
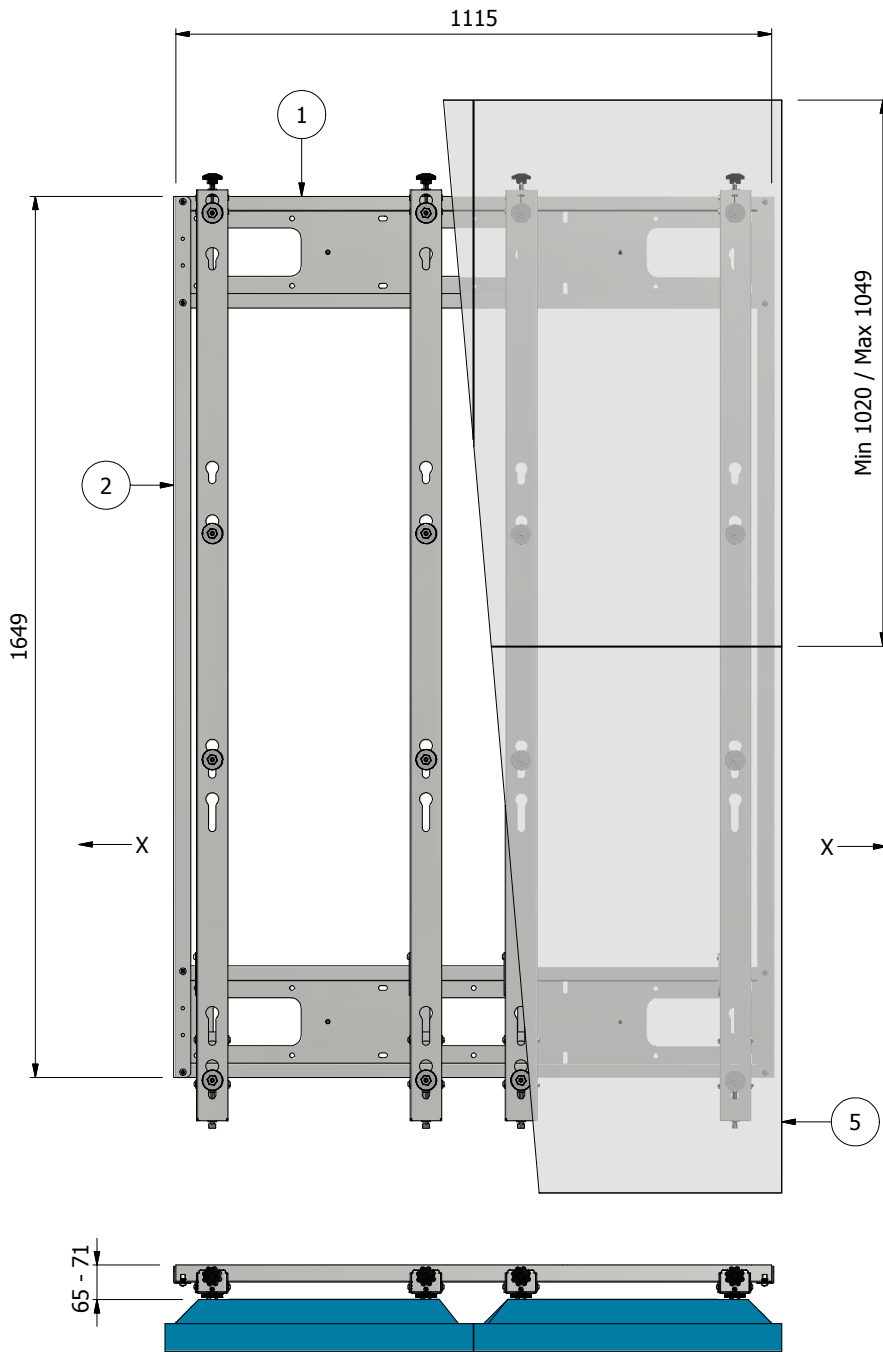
Equipped
for screen Vesa M8



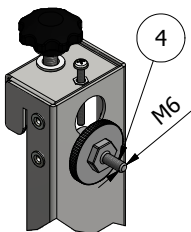
- Screen Array Configuration : 1x2
- Orientation : Landscape
- Adjustments (Y) : Micro-Adjustments 10mm.
- Adjustments (Y1) : Micro-Adjustments 15mm.
- Adjustments (X) : Adjustments +/- 132mm.
- Adjustments (Z) : Adjustments +/- 7mm.
- Mounting Pattern : Vesa 400x400mm./600x400mm.
- Typical Screen Sizes : 46" / 47"
- Weight Capacity : 30 Kg to Screen
- Galvanized steel shets

POS.	QTY	DESCRIPTION
1	2	OMEGA L=956
2	2	VERTICAL ANGULAR
3	2	LCD BRACKET
4	1	VESA KIT M6 PINS (OPTIONAL)
5	2	SCREEN 46" / 47" VESA 400x400 / 600x400
6		
7		
8		

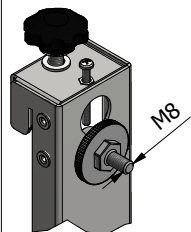




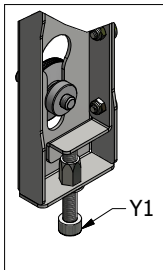
Kit Code 5502
Optional
for screen Vesa M6



Equipped
for screen Vesa M8

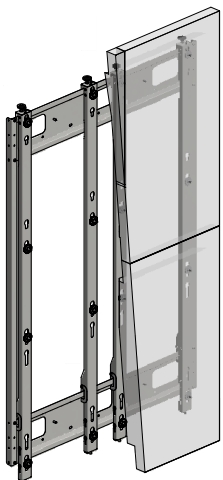


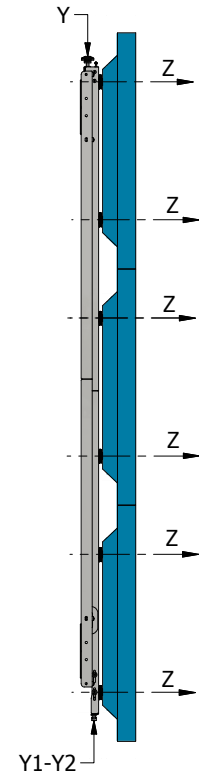
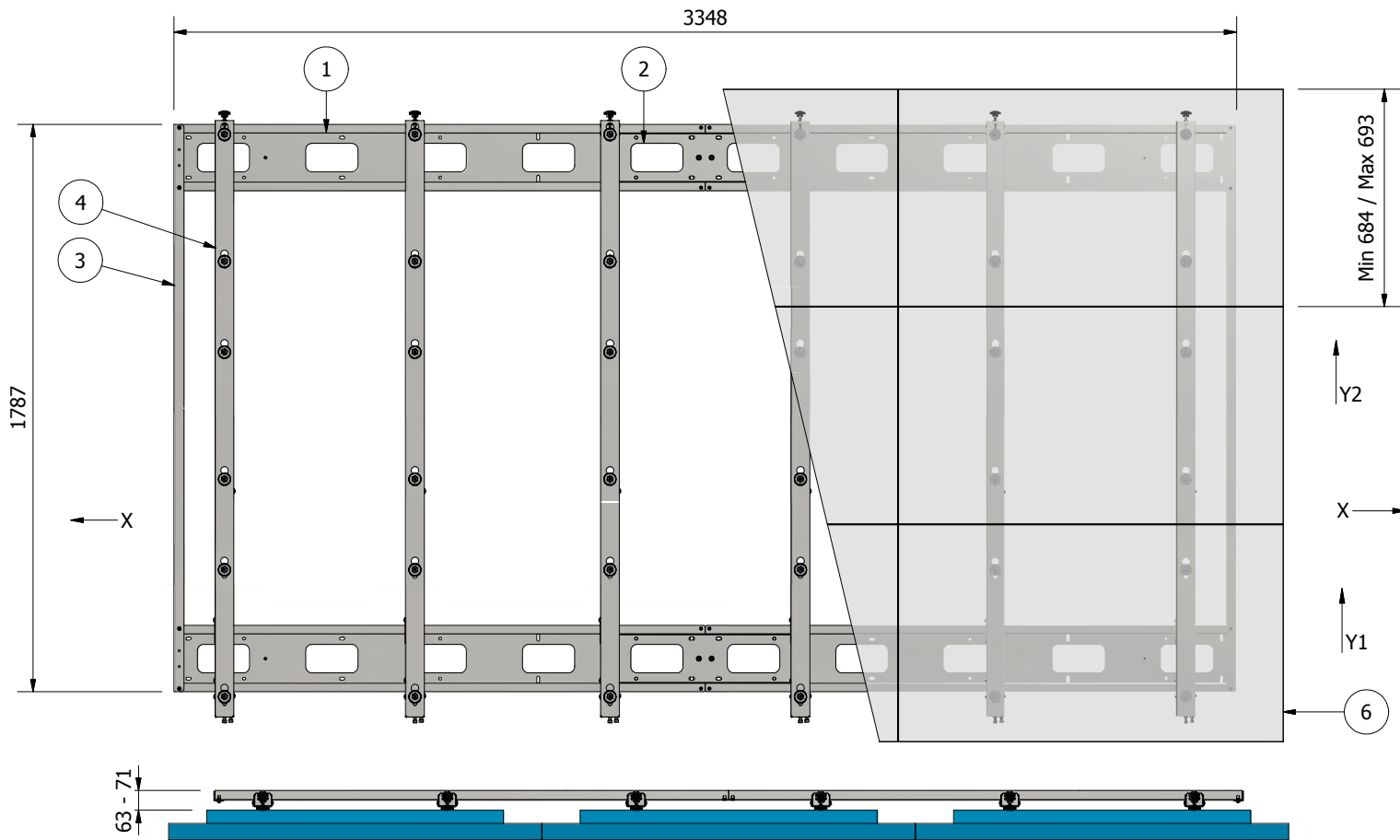
Quick mounting



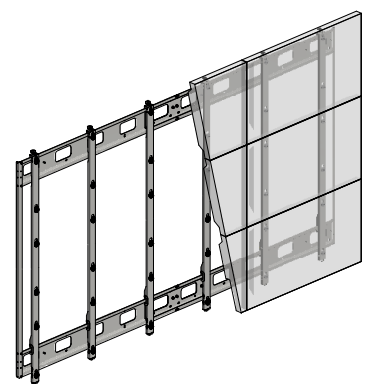
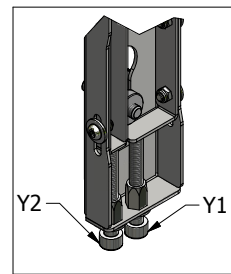
- Screen Array Configuration : 2x2
- Orientation: Portrait
- Adjustments (Y) Micro-Adjustments 10mm.
- Adjustments (Y1) Micro-Adjustments 15mm.
- Adjustments (X) Adjustments +/- 11mm.
- Adjustments (Z) Adjustments +/- 7mm.
- Mounting Pattern Vesa 400x400mm. / 600x400mm.
- Typical Screen Sizes: 46" - 47"
- Weight Capacity: 30 Kg to Screen
- Galvanized steel shets

POS.	QTY	DESCRIPTION
1	2	OMEGA L=1115
2	2	VERTICAL ANGULAR
3	4	SCREEN BRACKET
4	1	VESA KIT M6 PINS (OPTIONAL)
5	4	SCREEN 46" / 47" VESA 400x400 / 600x400
5	1	
7	1	
8	1	





Adjustments

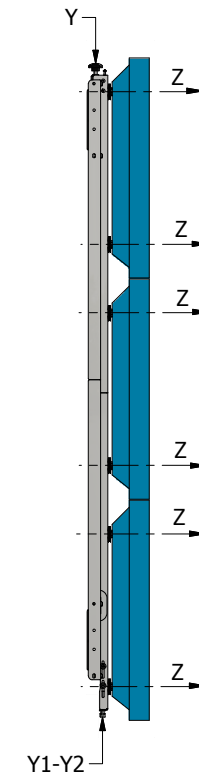
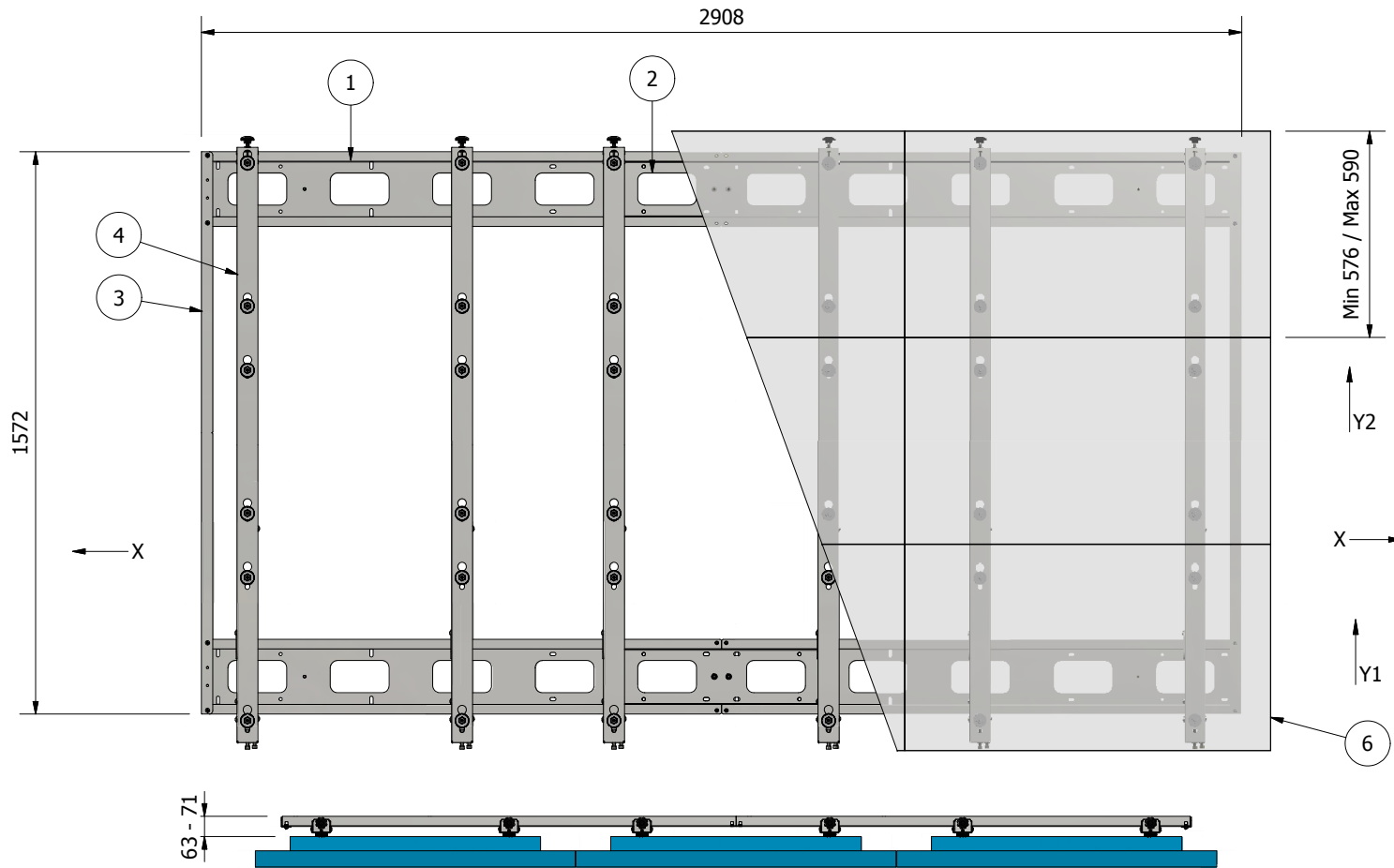


Quick mounting

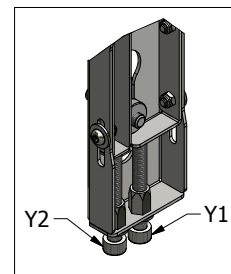
<p>Kit Code 5504 Optional for screen Vesa M6</p>	<p>Equipped for screen Vesa M8</p>

- Screen Array Configuration : 3x3
- Orientation :..... Landscape
- Adjustments (Y) :..... Micro-Adjustments 10mm.
- Adjustments (Y1-Y2) :..... Micro-Adjustments 15mm.
- Adjustments (X) :..... Adjustments +/- 98mm.
- Adjustments (Z) :..... Adjustments +/- 7mm.
- Mounting Pattern :..... Vesa 400x400mm./600x400mm.
- Typical Screen Sizes :..... 55"
- Weight Capacity :..... 30 Kg to Screen
- Galvanized steel shets

POS.	QTY	DESCRIPTION
1	4	OMEGA L=1670
2	2	OMEGA JUNCTION
3	4	VERTICAL ANGULAR
4	6	LCD BRACKET
5	1	VESA KIT M6 PINS (OPTIONAL)
6	9	SCREEN 55" VESA 400x400 / 600x400
7		
8		

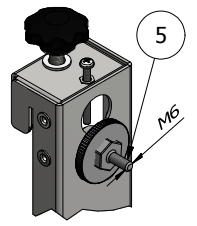


Adjustments

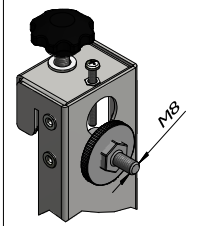


Quick mounting

Kit Code 5504
Optional
for screen Vesa M6

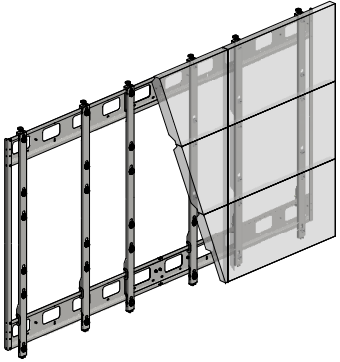


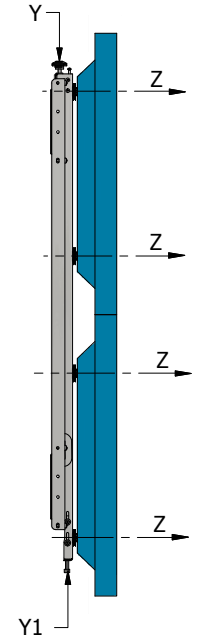
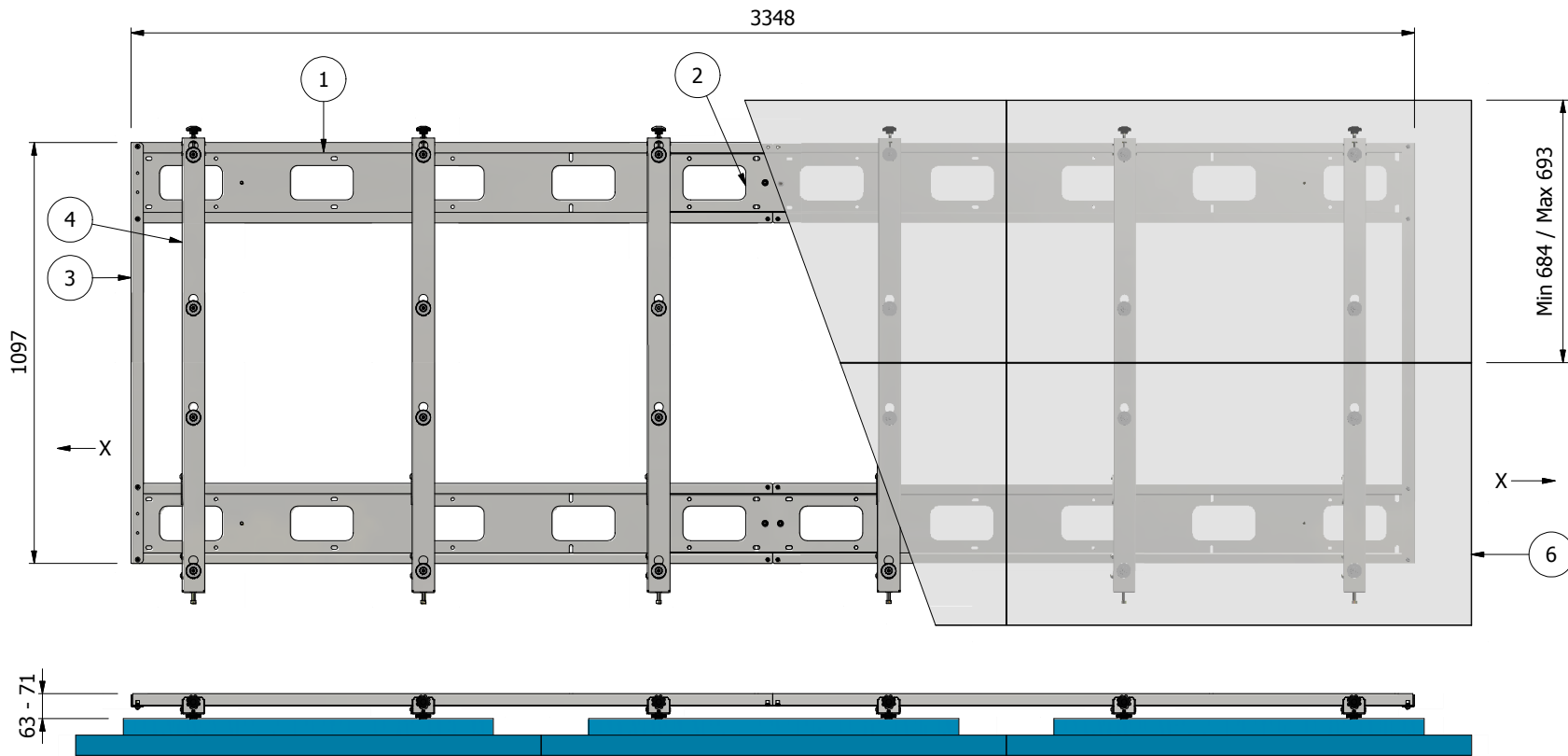
Equipped
for screen Vesa M8



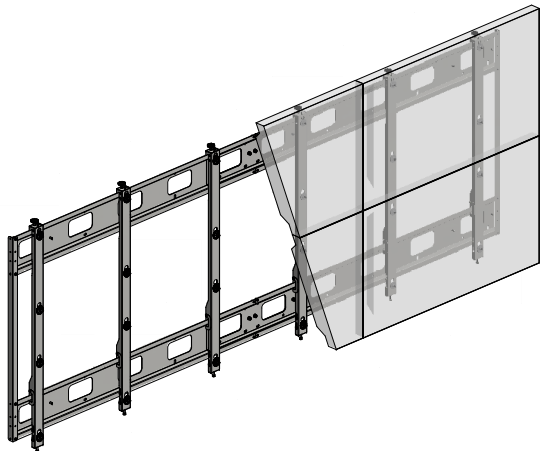
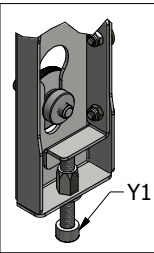
- Screen Array Configuration : 3x3
- Orientation :..... Landscape
- Adjustments (Y) :..... Micro-Adjustments 10mm.
- Adjustments (Y1-Y2) :..... Micro-Adjustments 15mm.
- Adjustments (X) :..... Adjustments +/- 70mm.
- Adjustments (Z) :..... Adjustments +/- 7mm.
- Mounting Pattern :..... Vesa 400x400mm./600x400mm.
- Typical Screen Sizes :..... 46" / 47"
- Weight Capacity :..... 30 Kg to Screen
- Galvanized steel shets

POS.	QTY	DESCRIPTION
1	4	OMEGA L=1450
2	2	OMEGA JUNCTION
3	2	VERTICAL ANGULAR
4	6	LCD BRACKET
5	1	VESA KIT M6 PINS (OPTIONAL)
6	9	SCREEN 46" / 47" VESA 400x400 / 600x400
7		
8		





Adjustments

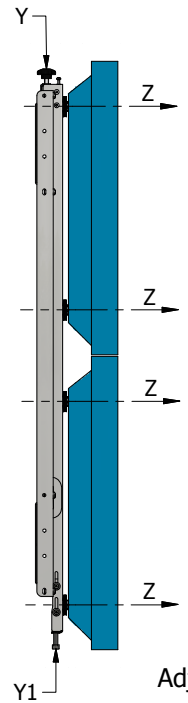
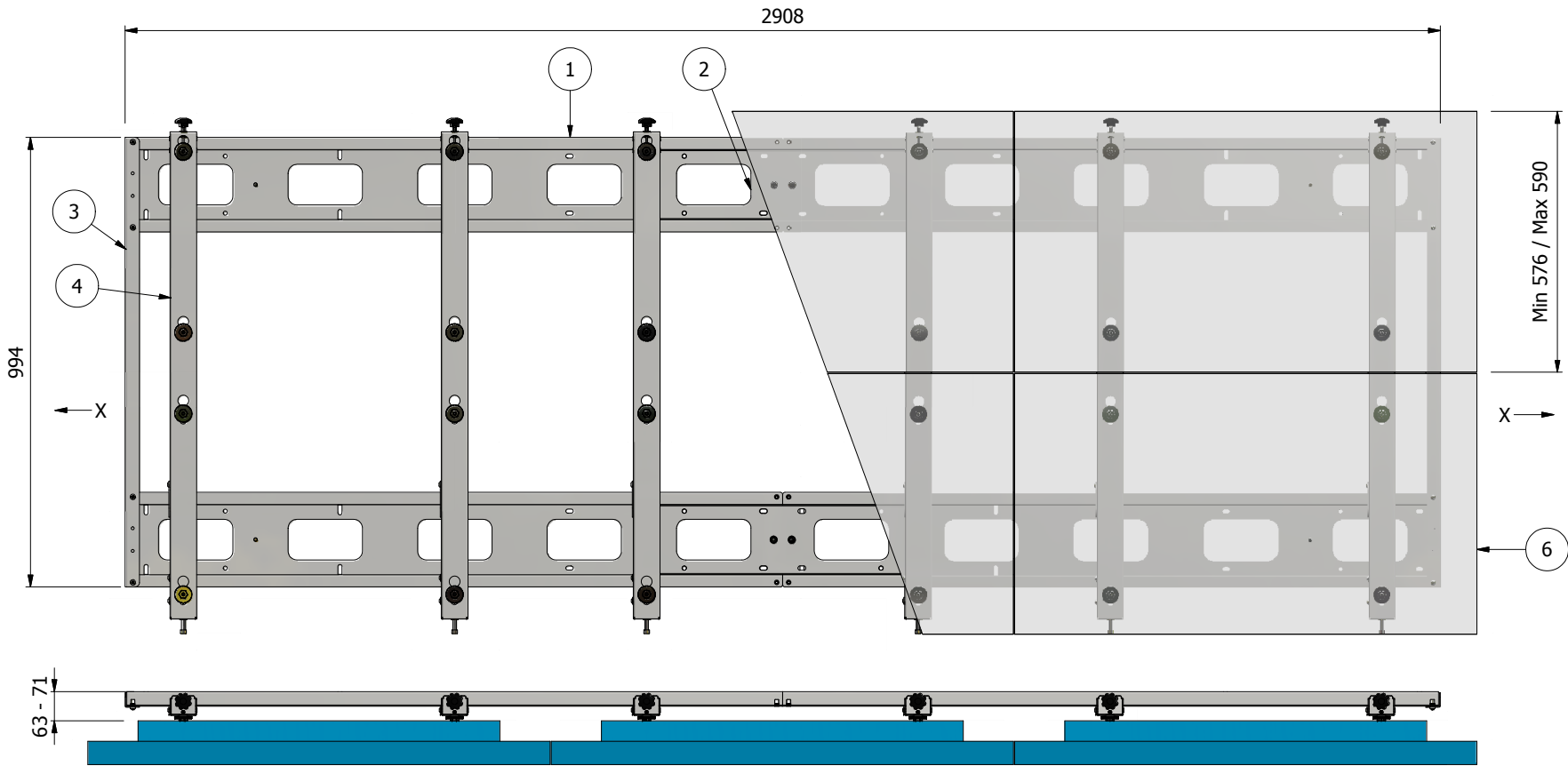


Quick mounting

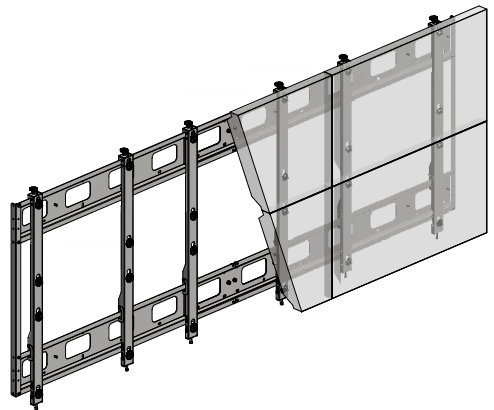
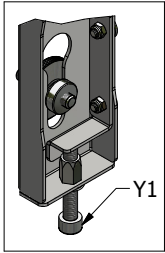
<p>Kit Code 5503 Optional for screen Vesa M6</p>	<p>Equipped for screen Vesa M8</p>

- Screen Array Configuration : 3x2
- Orientation :..... Landscape
- Adjustments (Y) :..... Micro-Adjustments 10mm.
- Adjustments (Y1) :..... Micro-Adjustments 15mm.
- Adjustments (X) :..... Adjustments +/- 100mm.
- Adjustments (Z) :..... Adjustments +/- 7mm.
- Mounting Pattern :..... Vesa 400x400mm./600x400mm.
- Typical Screen Sizes :..... 55"
- Weight Capacity :..... 30 Kg to Screen
- Galvanized steel shets

POS.	QTY	DESCRIPTION
1	4	OMEGA L=1670
2	2	OMEGA JUNCTION
3	2	VERTICAL ANGULAR
4	6	LCD BRACKET
5	1	VESA KIT M6 PINS (OPTIONAL)
6	6	SCREEN 55" VESA 400x400 / 600x400
7		
8		

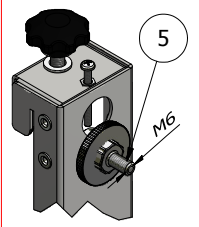


Adjustments

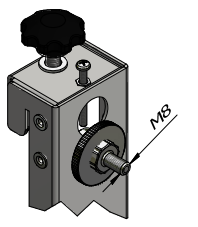


Quick mounting

Kit Code 5503
Optional
for screen Vesa M6



Equipped
for screen Vesa M8



- Screen Array Configuration : 3x2
- Orientation :..... Landscape
- Adjustments (Y) :..... Micro-Adjustments 10mm.
- Adjustments (Y1) :..... Micro-Adjustments 15mm.
- Adjustments (X) :..... Adjustments +/- 68mm.
- Adjustments (Z) :..... Adjustments +/- 7mm.
- Mounting Pattern :..... Vesa 400x400mm./600x400mm.
- Typical Screen Sizes :..... 46" / 47"
- Weight Capacity :..... 30 Kg to Screen
- Galvanized steel shets

POS.	QTY	DESCRIPTION
1	4	OMEGA L=1450
2	2	OMEGA JUNCTION
3	2	VERTICAL ANGULAR
4	6	LCD BRACKET
5	1	VESA KIT M6 PINS (OPTIONAL)
6	6	SCREEN 46" / 47" VESA 400x400 / 600x400
7		
8		