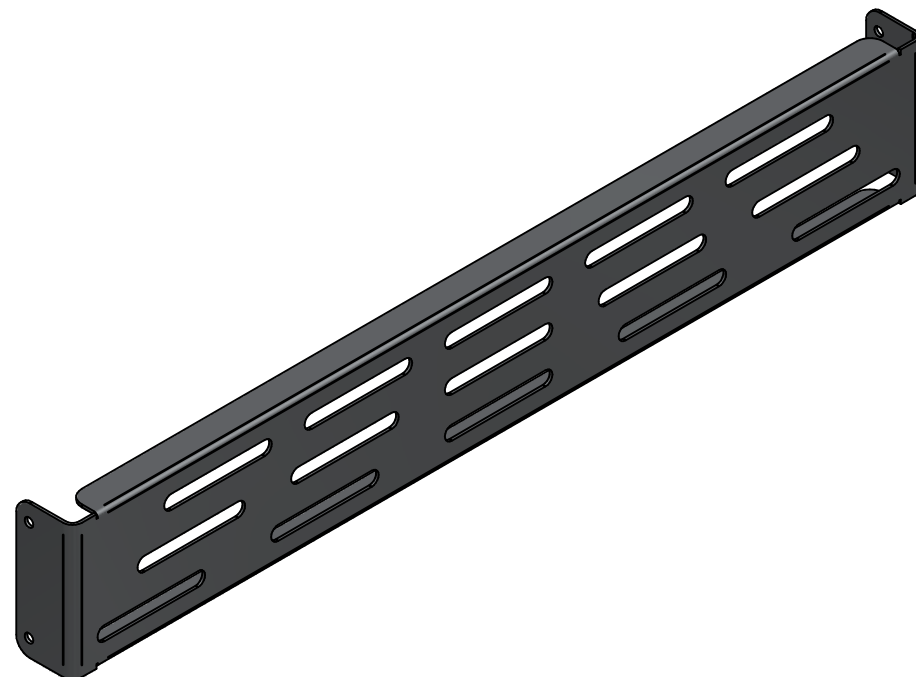
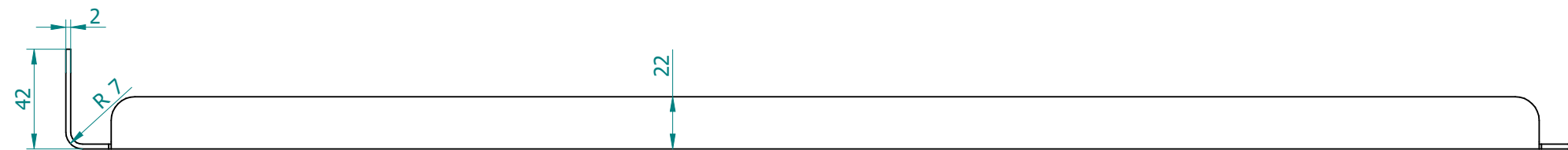
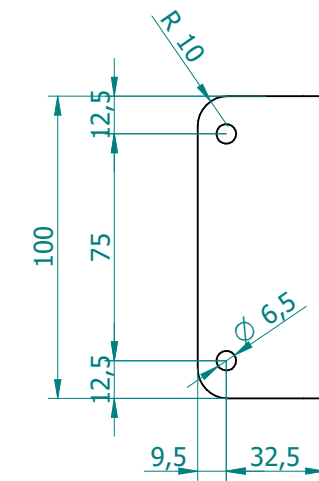
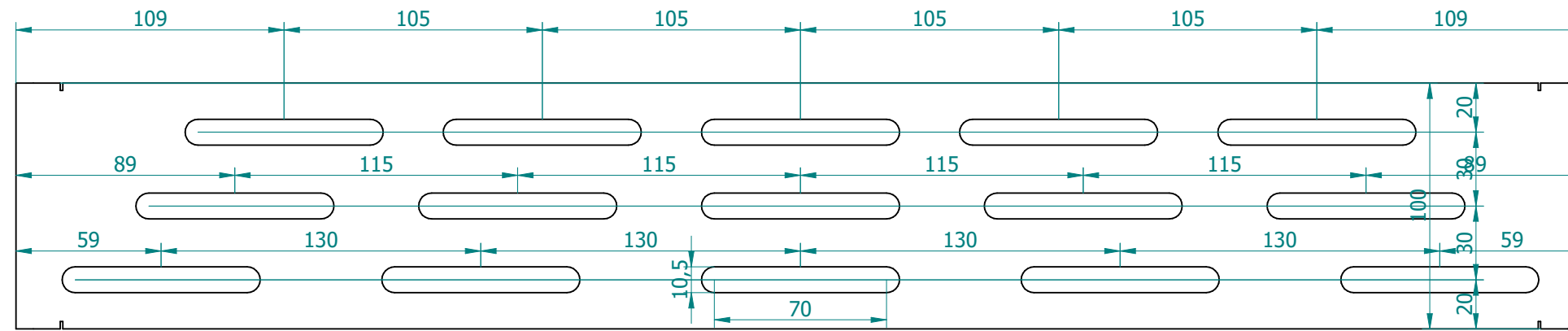


Rev.	Date of issue	Description	Sign
0001	24/02/2021	First edition	S.A.



Ref	04386	Code	Steel - Structural:10037 , S235JR	Material	1	Q.ty	
Chamfers not indicated	0,5x45°	Roughness	General tolerances For linear dimensions: $\pm 0,1$ mm For angular dimensions: ISO 2768-m	Weight [kg]	1,27 kg	Scale	1/1
Created by		Santello Andrea		Date of issue		24/02/2021	
Title/Supplementary title		Barra soundbar XXL		Paper size		A3	
Code name/File name		04386		Sheet		1/1	

