

STRETCH 88" HORIZ
Col. ● Code 06204

MIN VESA 200x200 - MAX VESA 600x400



224CM
88"



50KG
110LBS



28MM



STRETCH 88" VERT
Col. ● Code 06203

MIN VESA 200x200 - MAX VESA 400x600



224CM
88"



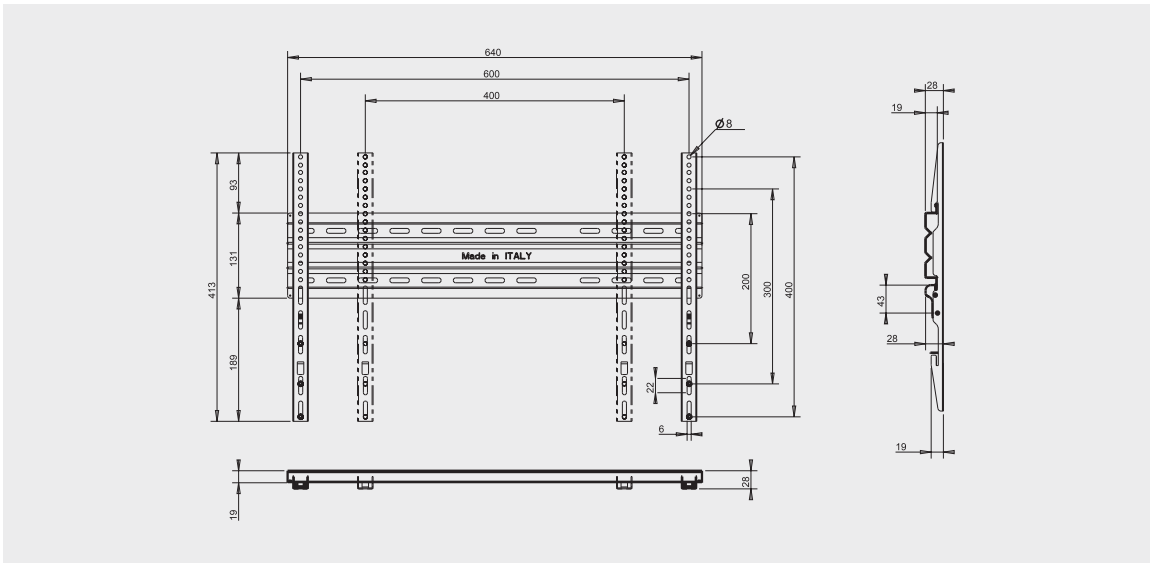
50KG
110LBS



28MM



Stretch^{88"} Horiz



Wall Mounts Solutions

WALL MOUNTS
SOLUTIONS

Stretch^{88"} Vert

