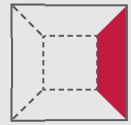


SUPER 1  
Col. ● Code 06098  
VESA 50x50 / 75x75 / 100x100



25-74CM 10KG 80MM  
10-29" 22LBS

WALL



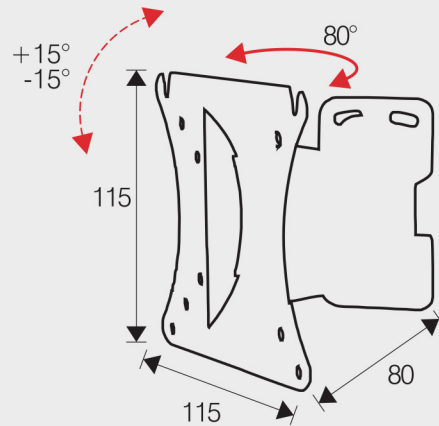
# Super 1 Registered Design



Supporto murale ad uno snodo, inclinabile per tv.



Inclinable wall bracket with one articulation for tv.



Wall Mounts Solutions

WALL MOUNTS  
SOLUTIONS