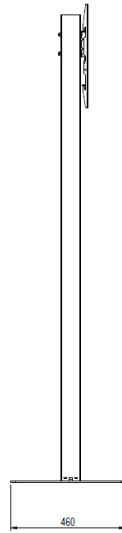
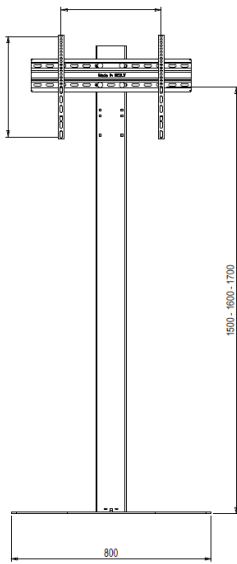


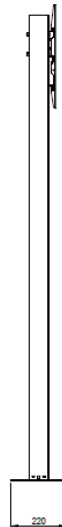
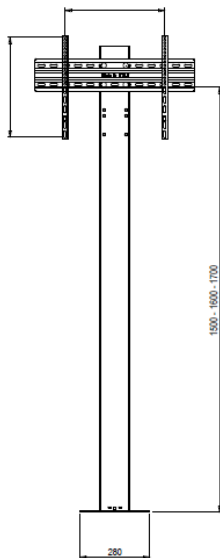
INSTALLATION INSTRUCTIONS

WINDOW STAND



FREESTANDING VERSION

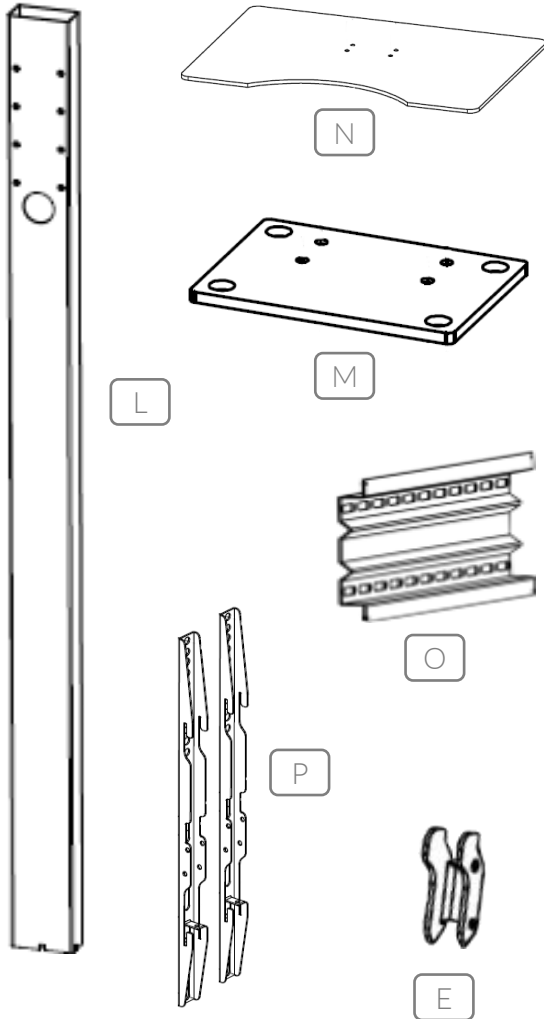
FREESTANDING VERSION	PRODUCT CODE	COLOR	MIN VESA	MAX VESA	SCREEN ORIENTATION	SCREEN SIZE inch	WEIGHT CAPACITY Kg/Lbs
WINDOW STAND LANDSCAPE	09232	Black	200X200	600X400	Landscape	32 - 65	50kg - 110lbs
WINDOW STAND PORTRAIT	09233	Black	200X200	400x400	Portrait	32 - 65	50kg - 110lbs
WINDOW STAND PORTRAIT	09237	Black	200X200	400x600	Portrait	32 - 65	50kg - 110lbs



BOLT DOWN VERSION

BOLT DOWN VERSION	PRODUCT CODE	COLOR	MIN VESA	MAX VESA	SCREEN ORIENTATION	SCREEN SIZE inch	WEIGHT CAPACITY Kg/Lbs
WINDOW STAND LANDSCAPE	09230	Black	200X200	600X400	Landscape	32 - 65	50kg - 110lbs
WINDOW STAND PORTRAIT	09231	Black	200X200	400x400	Portrait	32 - 65	50kg - 110lbs
WINDOW STAND PORTRAIT	09236	Black	200X200	400x600	Portrait	32 - 65	50kg - 110lbs

REL 2022 - document code 04563



I - AVVERTENZA

Durante il montaggio fare attenzione alle istruzioni per l'uso e l'installazione dello schermo. OMB declina ogni responsabilità per danni diretti, indiretti o conseguenti ad una installazione errata e/o eseguita da persone inesperte, al montaggio su strutture non sufficientemente robuste, a modifiche, ad un impiego diverso da quanto indicato, a sovraccarichi, ad interventi non previsti dalle istruzioni per l'uso, all'abbinamento di supporti ed accessori non di marca OMB o ad eventuale combinazione di prodotti OMB non idonei a quella installazione. 1 Prima dell'uso controllare che tutti i dadi e bulloni siano fissati saldamente. 2. Utilizzare il supporto solamente su superfici piane. 3. Quando si sposta il supporto si consiglia di togliere il monitor dal support stesso al fine di evitare eventuali danneggiamenti. 4. Per muovere il supporto si consiglia la massima cautela (almeno in due persone). 5. Portata massima del supporto: Kg. 50 (lbs 110). 6. Lo stand è indicato per sorreggere esclusivamente un monitor.

GB - WARNING

During installation, the installation guide and the instructions for use which are supplied with the screen itself must also be consulted. OMB is never responsible for direct, indirect or consequential damages which arise due to incorrect and/or inexpert mounting, mounting on constructions which are not strong enough, modifications, use other than prescribed, overloading, not working in accordance with the instructions for use, combinations with other than OMB's products, unintended combinations of OMB's products.

1. Before use, check if all bolts and nuts are tightened up securely. 2. Use this stand only on horizontal and stable floors. 3. When moving the stand, we advice to get the screen display off the stand to prevent damage. 4. Moving the stand has to be done with great caution and at least 2 persons. 5. Maximum weight of the screen display: Kg. 50 (lbs 110). 6. The stand is suitable for supporting a monitor only.

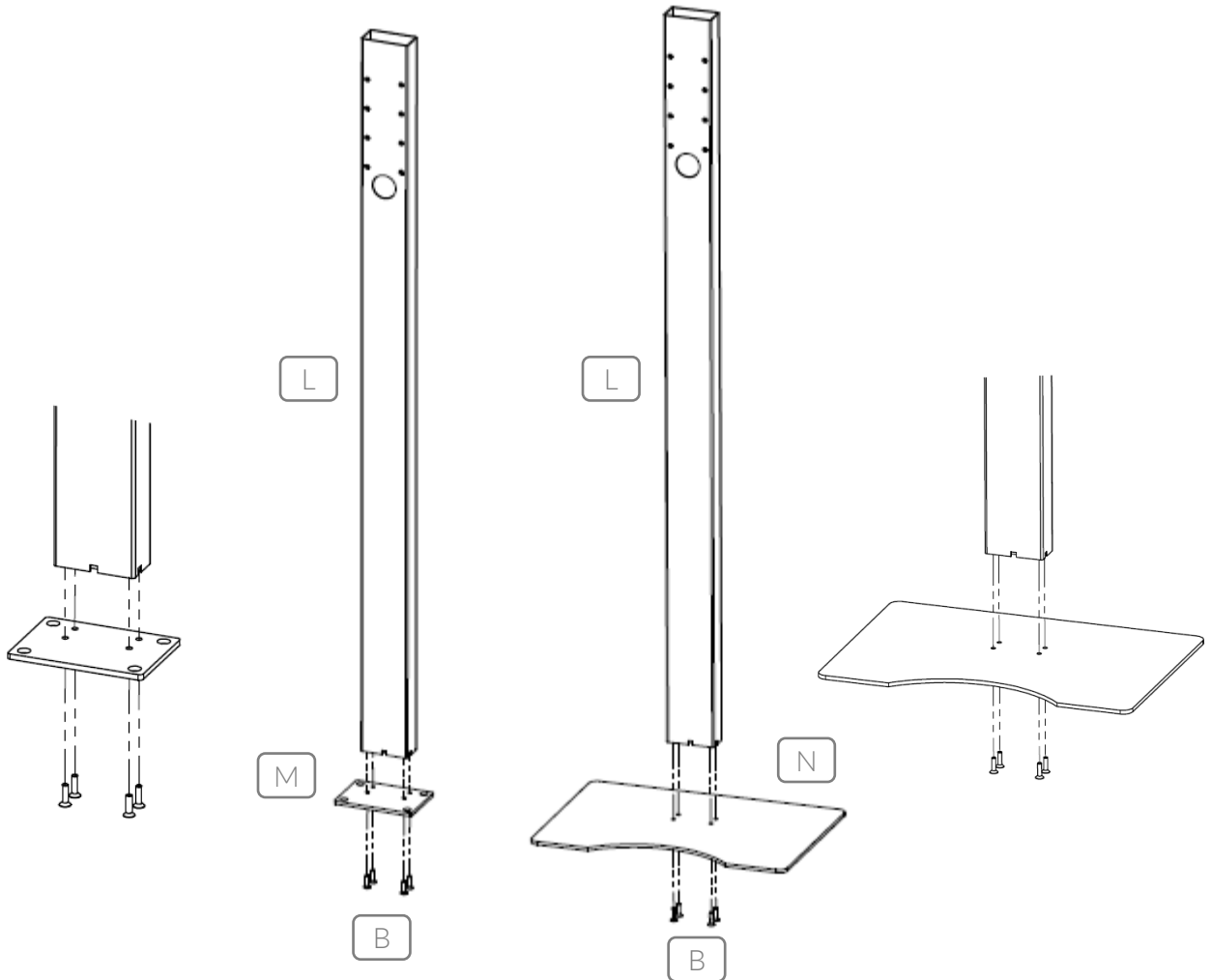
Position	Code	Description	Q.ty
A	03975	BUMPER UNDER PLATE	4
B	03897	SCREW M8X30	4
C	01252	WASHER 6X18	8
D	00964	SCREW M6X12	4
E	02351	SNAP HOOK	2
F	02115	CABLE HOLE CAP	2

Position	Code	Description	Q.ty
G	02331	SCREW M8x12	4
H	02332	SCREW M8x30	4
I	01251	SCREW M6x30	4

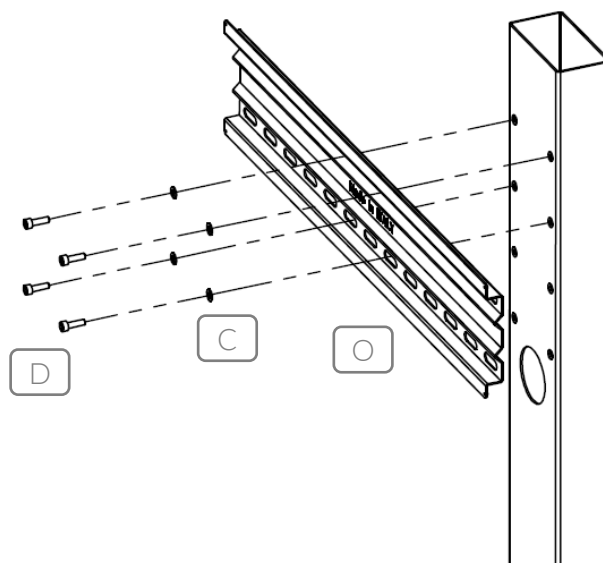
Position	Code	Description	Q.ty
L		MAIN POLE	1
M		BASE PLATE TO BOLT DOWN	1
N		BASE PLATE FREESTANDING	1
O		SCREEN VESA SUPPORT	1
P		MONITOR HOLDER BARS	2

ASSEMBLY PROCESS

Fix the FREESTANDING (N) or BOLT DOWN BASE (M) to the main pole (L) using 4 screws M8x30 (B).
To fix the BOLT DOWN version to the floor, consult an expert technician.
Floor fixing screws are not supplied.

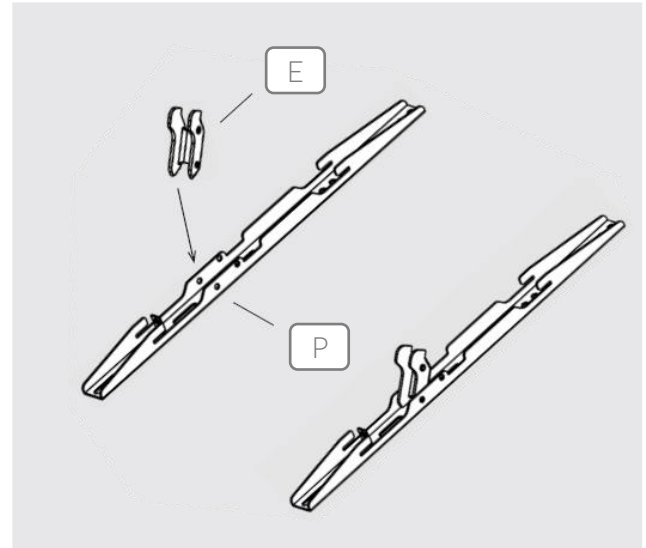
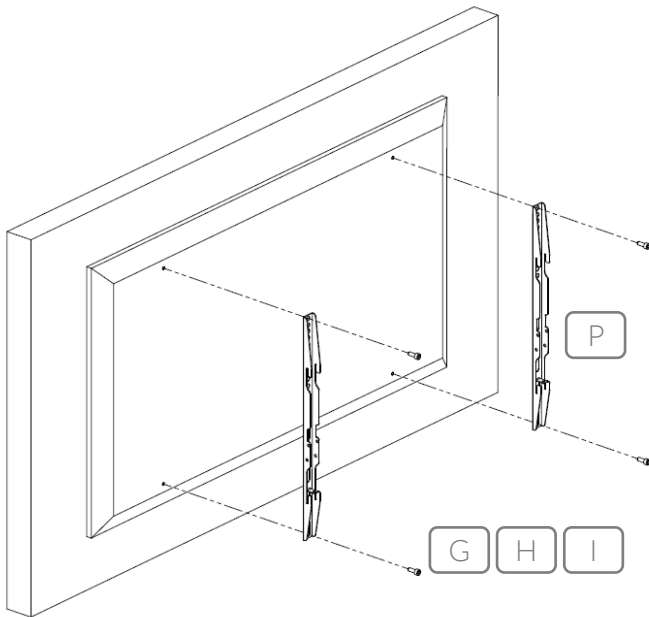


Fix the SCREEN VESA SUPPORT (O) to the main pole using 4x washers (C) and 4x screws (D)



ASSEMBLY PROCESS

Insert the 2x SNAP HOOK (E) in the MONITOR HOLDER BARS (P) as indicated in the picture.
Fix the 2x MONITOR HOLDER BARS (P) to your screen using one of following screw set: (G), (H) or (I)



Hook the monitor to VESA SUPPORT (O) while pressing lightly to engage the SNAP HOOK CLIP (E)

